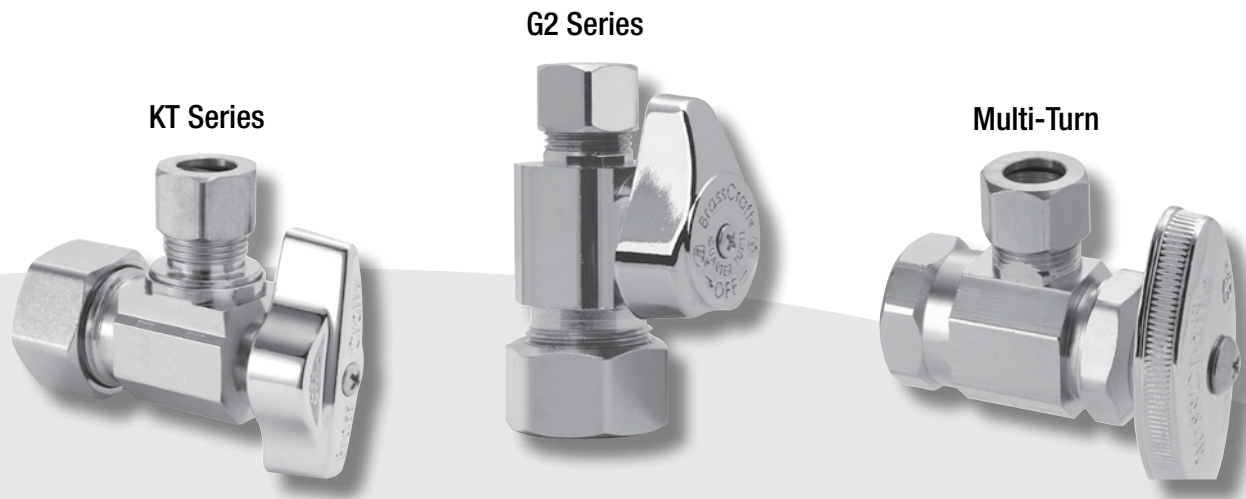


BrassCraft Stops

Made in the USA, BrassCraft stops, machined from solid brass, offer the highest quality and most reliable connection. The finished stops are offered for a variety of connections including Compression, Sweat, PEX, CPVC and PushConnect. Options include metal stems, lock shields, dual outlets, dual shut-offs, stuffing boxes and handles.

BrassCraft stops are designed for longevity, consistently exceed industry standards, are competitively priced and delivered with exceptional service. As the leading manufacturer of water stops for over 65 years, BrassCraft has the stop to meet your needs.



KT Series 1/4 Turn Ball Stops

KT Series 1/4 turn ball stops offer superior performance and quality advantages you expect from BrassCraft. Available in angle and straight bodies for compression, copper sweat, iron pipe, CPVC and PEX inlet connections.

- 1/4 Turn On-Off for easy, smooth operation
- High performance PTFE seats provide corrosion resistance, watertight seal and ease of use
- Precision-machined brass ball resists corrosion; ensures ease of operation
- Chrome plated brass body and zinc die cast handle for strength, corrosion resistance and fine appearance
- Blow-out-proof plated stem with double o-rings for safe, reliable operation
- 100% leak tested to ensure reliability
- IAPMO and CSA Approved

G2 Series 1/4 Turn Stops

BrassCraft's G2 1/4 turn stops combine 1/4-turn technology, durable construction and proven performance at an affordable price. Available in straight and angle styles with a full range of inlet options.

- Patented, one-piece mechanism provides years of smooth, 1/4-turn operation
- Made from machined brass rod for strength, durability, and lasting appearance
- 100% leak tested to ensure reliable, leak-free operation.
- IAPMO and CSA Approved

Multi-Turn Stops

BrassCraft multi-turn stops have set the bar for quality, reliability and proven performance for over 65 years. These stops provide the widest choice of configurations.

- One-piece brass body
- Water flow controlled by stem; removable handles
- Washers keep water flowing while preventing contaminants from entering water flow
- Repairable in the field
- IAPMO and CSA Approved



Part Numbering System

Multi-Turn, Tee-Handle Stops

Example:



0	R	1	9	P	X	C	1
Stop Type	Outlet Size	Inlet	Options	Finish	Packaging		
Iron Pipe Inlet	3/8" OD (1/4" Nom)	1/2" Nominal Copper, Angle	Compression PEX Inlet	Chrome	Individually Boxed		

S

Handle (Modifier)

Handle*

*Drop the '0' in Stop Type, when using modifier

S	Loose Key, Lock Shield	X	Cross
SS	Screw Driver Slot, Lock Shield	XX	Round

T

Stem (Modifier)

Stem*

*Drop the '0' in Stop Type, when using modifier

T	Stuffing Box
----------	--------------

0 R
Stop Type

Stop Type

OCR	Compression Inlet	OR	Iron Pipe Inlet	BRPX	Barbed PEX Inlet
OFCR	Flare Outlet, Compression Inlet	OFR	Flare Outlet, Iron Pipe Inlet	CS	Sweat Extension Inlet
FR	Flare Outlet, Sweat Inlet	R	Sweat Inlet	033	Slip-Joint Outlet
PR	CPVC Inlet	RD	Sweat Outlet x Sweat Inlet		

For Integral Shut-Offs:

R	Iron Pipe or Sweat Inlet
DRS	Screwdriver Slot, Less Lock Shield, Iron Pipe or Sweat Inlet

1

Outlet Size

Outlet Size (same as riser diameter)

0	1/4" OD	4	5/8" OD (1/2" Nom)
1	3/8" OD (1/4" Nom)	8	1/2" Iron Pipe
2	7/16" OD	9	3/8" Iron Pipe
3	1/2" OD (3/8" Nom)		

9

Inlet

Inlet Size & Style

0	3/8" Female Iron Pipe, Straight	7	1/2" Female Iron Pipe, Angle
1	3/8" OD Compression (1/4" Nom)	9	1/2" Nominal Copper, Angle
2	1/2" Female Iron Pipe, Straight	A	3/8" Nominal Copper, Straight
4	1/2" Nominal Copper, Straight	B	3/8" Nominal Copper, Angle
5	3/8" Female Iron Pipe, Angle		

For Slip-Joint Outlets:

01	1/2" FIP Inlet, Angle
05	1/2" FIP Inlet, Straight
41	1/2" Nom Comp Inlet, Angle
45	1/2" Nom Comp Inlet, Straight

For Integral Shut-Offs:

83	1/2" FIP x 1/2" MIP, Straight
84	1/2" Nom Sweat x 1/2" MIP, Straight
44	1/2" Nom Sweat x 1/2" Nom Sweat, Straight

For Sweat Extension Inlets:

40	1/2" Nom Sweat x 3/8" OD Comp, Angle
41	1/2" Nom Sweat x 3/8" OD Comp, Straight
47	1/2" Nom Sweat x 1/2" OD Comp, Straight

P X
Options

Options

PX	Compression PEX Inlet
-----------	-----------------------

For Sweat Extension Inlets:

B	w/Escutcheon
----------	--------------

For Integral Shut-Offs:

AA	w/Check Inlet
M	w/Male Sweat Outlet

C

Finish

Finish

C	Chrome Plated, Trayed
R	Rough/Unplated, Trayed

For Sweat Extension Inlets:

C	Chrome Plated, Boxed
R	Rough/Unplated, Boxed

1

Packaging

Packaging

1	Individually Boxed (These stops are highlighted in bold print in this catalog).
----------	--



PART NO.	UPC	INLET X OUTLET	FINISH	QTY.	LBS.
FIP x Flare Stops – Angle					
OFR15 C	026613027067	3/8" FIP x 3/8" OD Flare	Chrome	60	13
OFR17 C	026613027081	1/2" FIP x 3/8" OD Flare	Chrome	60	25
OFR17 R	026613004235	1/2" FIP x 3/8" OD Flare	Rough	60	25
OFR37 C	026613027166	1/2" FIP x 1/2" OD Flare	Chrome	60	17



FIP x Flare Stops – Straight					
OFR12 C	026613027036	1/2" FIP x 3/8" OD Flare	Chrome	60	18



FIP x Slip-Joint Stops – Angle					
O3301 C	026613003535	1/2" FIP x 7/16" & 1/2" Slip Joint	Chrome	60	19
O3301 C1	026613095332	1/2" FIP x 7/16" & 1/2" Slip Joint	Chrome	24	8
O3301 R	026613026053	1/2" FIP x 7/16" & 1/2" Slip Joint	Rough	60	19



FIP x Slip-Joint Stops – Straight					
O3305 C	026613003542	1/2" FIP x 7/16" & 1/2" Slip Joint	Chrome	60	21
O3305 C1	026613096001	1/2" FIP x 7/16" & 1/2" Slip Joint	Chrome	24	9



Sweat x Compression Stops – Angle					
R1B C	026613028897	3/8" Nom Sweat x 3/8" OD Comp	Chrome	60	15
R09 C	026613028484	1/2" Nom Sweat x 1/4" OD Comp	Chrome	60	16
R09 C1	026613096124	1/2" Nom Sweat x 1/4" OD Comp	Chrome	24	6
R09 R	026613028491	1/2" Nom Sweat x 1/4" OD Comp	Rough	60	16
R09 R1	026613099798	1/2" Nom Sweat x 1/4" OD Comp	Rough	24	6
R19 C	026613003443	1/2" Nom Sweat x 3/8" OD Comp	Chrome	60	15
R19 C1	026613096162	1/2" Nom Sweat x 3/8" OD Comp	Chrome	32	8
R19 R	026613002682	1/2" Nom Sweat x 3/8" OD Comp	Rough	60	15
R19 R1	026613964140	1/2" Nom Sweat x 3/8" OD Comp	Rough	24	6
R39 C	026613029306	1/2" Nom Sweat x 1/2" OD Comp	Chrome	60	17
R39 C1	026613096193	1/2" Nom Sweat x 1/2" OD Comp	Chrome	24	7
R39 R	026613029337	1/2" Nom Sweat x 1/2" OD Comp	Rough	60	17

 Denotes best-selling stops
See **page 103** for material specifications.