

Job Name		Engineer / Architect	
Job Location		Wholesaler	
Submittal Date		Contractor	

OCR1B/ OCR3B & OCR09/ OCR19/ OCR39/ OCR49 Multi-Turn Angle Stop – Compression x Compression

Use: For use in potable water distribution systems. Not intended for recirculating water systems that produce continuous use temperatures above 115° F. For those applications, use our KT™ series ball stops

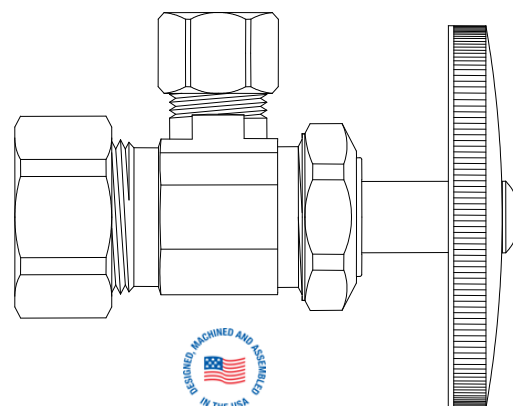
Design Features:

- **Machined one-piece brass body** provides strength, durability, and long-lasting performance
- **Oval knurled handle** provides a secure grip and smooth on/off operation
- **Easy-to-remove handle** help protect against accidental stop operation during rough-ins
- **100% Compliant**



Operating Specifications:

Temperature: 40° - 140° F
Pressure: 125 PSI maximum



Standard

STOP MATERIAL SPECIFICATIONS	
Body	Brass
Stem	POM; brass; or brass, chrome plated
Handle	Zinc die cast, plated; ABS, plated; or Polycarbonate
Handle Screw	Steel, zinc plated
Bib & Packing Washer	Rubber
Packing Nut	Brass or brass, chrome plated
Compression Sleeve	Brass
Compression Nut	Brass, chrome plated

Compliant

STOP MATERIAL SPECIFICATIONS	
Body	Compliant brass
Stem	POM; Compliant brass; or Compliant brass, chrome plated
Handle	Zinc die cast, plated; ABS, plated; or Polycarbonate
Handle Screw	Steel, zinc plated
Bib & Packing Washer	Rubber
Packing Nut	Brass or brass, chrome plated
Compression Sleeve	Brass
Compression Nut	Brass, chrome plated

Standard Part Listing:

- OCR1B C 3/8" nom compression x 3/8" OD compression, chrome plated
- OCR1B C1 3/8" nom compression x 3/8" OD compression, chrome plated, window box
- OCR1BZ C 3/8" nom compression x 3/8" OD compression, brass stem, chrome plated
- OCR3B C 3/8" nom compression x 1/2" OD compression, chrome plated
- OCR09 C 1/2" nom compression x 1/4" OD compression, chrome plated
- OCR09 C1 1/2" nom compression x 1/4" OD compression, chrome plated, window box
- OCR09 CBT 1/2" nom compression x 1/4" OD compression, chrome plated, bulk

This specification and all information contained herein is the confidential and exclusive property of BrassCraft Manufacturing, and shall not be disclosed to others without the written consent of BrassCraft Mfg. This specification must be returned to BrassCraft Mfg if requested.



OCR1B/ OCR3B & OCR09/ OCR19/ OCR39/ OCR49

Multi-Turn Angle Stop – Compression x Compression

Standard Part Listing (con't):

<input type="checkbox"/>	OCR09 R	1/2" nom compression x 1/4" OD compression, rough brass
<input type="checkbox"/>	OCR09Z C	1/2" nom compression x 1/4" OD compression, brass stem, chrome plated
<input type="checkbox"/>	OCR09Z R	1/2" nom compression x 1/4" OD compression, brass stem, rough brass
<input type="checkbox"/>	OCR19 C	1/2" nom compression x 3/8" OD compression, chrome plated
<input type="checkbox"/>	OCR19 CBT	1/2" nom compression x 3/8" OD compression, chrome plated, bulk
<input type="checkbox"/>	OCR19 C1	1/2" nom compression x 3/8" OD compression, chrome plated, window box
<input type="checkbox"/>	OCR19 BZ	1/2" nom compression x 3/8" OD compression, oil rubbed bronze
<input type="checkbox"/>	OCR19 NP	1/2" nom compression x 3/8" OD compression, polished nickel
<input type="checkbox"/>	OCR19 NS	1/2" nom compression x 3/8" OD compression, satin nickel
<input type="checkbox"/>	OCR19 P	1/2" nom compression x 3/8" OD compression, polished brass
<input type="checkbox"/>	OCR19 R	1/2" nom compression x 3/8" OD compression, rough brass
<input type="checkbox"/>	OCR19 RB	1/2" nom compression x 3/8" OD compression, rough brass, bulk
<input type="checkbox"/>	OCR19 RBT	1/2" nom compression x 3/8" OD compression, rough brass, bulk
<input type="checkbox"/>	OCR19 R1	1/2" nom compression x 3/8" OD compression, rough brass, window box
<input type="checkbox"/>	OCR19K C	1/2" nom compression x 3/8" OD compression, plastic handle, chrome plated
<input type="checkbox"/>	OCR19K CB	1/2" nom compression x 3/8" OD compression, plastic handle, chrome plated, bulk
<input type="checkbox"/>	OCR19KL1 CB	1/2" nom compression x 3/8" OD compression, less outlet nut, plastic handle, chrome plated, bulk
<input type="checkbox"/>	OCR19KL1 RB	1/2" nom compression x 3/8" OD compression, less outlet nut, plastic handle, rough brass, bulk
<input type="checkbox"/>	OCR19L1 CB	1/2" nom compression x 3/8" OD compression, less outlet nut, chrome plated, bulk
<input type="checkbox"/>	OCR19L1 RB	1/2" nom compression x 3/8" OD compression, less outlet nut, rough brass, bulk
<input type="checkbox"/>	OCR19L4 C100T	1/2" nom compression x 3/8" OD compression, less inlet nut, chrome plated, bulk
<input type="checkbox"/>	OCR19P C	1/2" nom compression x 3/8" OD compression, less handle, handle screw included, chrome plated
<input type="checkbox"/>	OCR19P R	1/2" nom compression x 3/8" OD compression, less handle, handle screw included, rough brass
<input type="checkbox"/>	OCR19PX C	1/2" nom compression x 3/8" OD compression, PEX insert, chrome plated
<input type="checkbox"/>	OCR19PX R	1/2" nom compression x 3/8" OD compression, PEX insert, rough brass
<input type="checkbox"/>	OCR19T CB	1/2" nom compression x 3/8" OD compression, chrome plated, no tray, bulk
<input type="checkbox"/>	OCR19Z C	1/2" nom compression x 3/8" OD compression, brass stem, chrome plated
<input type="checkbox"/>	OCR19Z R	1/2" nom compression x 3/8" OD compression, brass stem, rough brass
<input type="checkbox"/>	OCR29 C	1/2" nom compression x 7/16" OD compression, chrome plated
<input type="checkbox"/>	OCR29 C1	1/2" nom compression x 7/16" OD compression, chrome plated, window box
<input type="checkbox"/>	OCR29 R	1/2" nom compression x 7/16" OD compression, rough brass
<input type="checkbox"/>	OCR29Z C	1/2" nom compression x 7/16" OD compression, brass stem, chrome plated
<input type="checkbox"/>	OCR39 C	1/2" nom compression x 1/2" OD compression, chrome plated
<input type="checkbox"/>	OCR39 CBT	1/2" nom compression x 1/2" OD compression, chrome plated, bulk
<input type="checkbox"/>	OCR39 C1	1/2" nom compression x 1/2" OD compression, chrome plated, window box
<input type="checkbox"/>	OCR39 R	1/2" nom compression x 1/2" OD compression, rough brass
<input type="checkbox"/>	OCR39Z C	1/2" nom compression x 1/2" OD compression, brass stem, chrome plated
<input type="checkbox"/>	OCR49 C	1/2" nom compression x 5/8" OD compression, chrome plated
<input type="checkbox"/>	OCR49Z C	1/2" nom compression x 5/8" OD compression, brass stem, chrome plated

Compliant Part Listing:

<input type="checkbox"/>	OCR09X C	1/2" nom compression x 1/4" OD compression, chrome plated
<input type="checkbox"/>	OCR09X C1	1/2" nom compression x 1/4" OD compression, chrome plated, window box

This specification and all information contained herein is the confidential and exclusive property of BrassCraft Manufacturing, and shall not be disclosed to others without the written consent of BrassCraft Mfg. This specification must be returned to BrassCraft Mfg if requested.

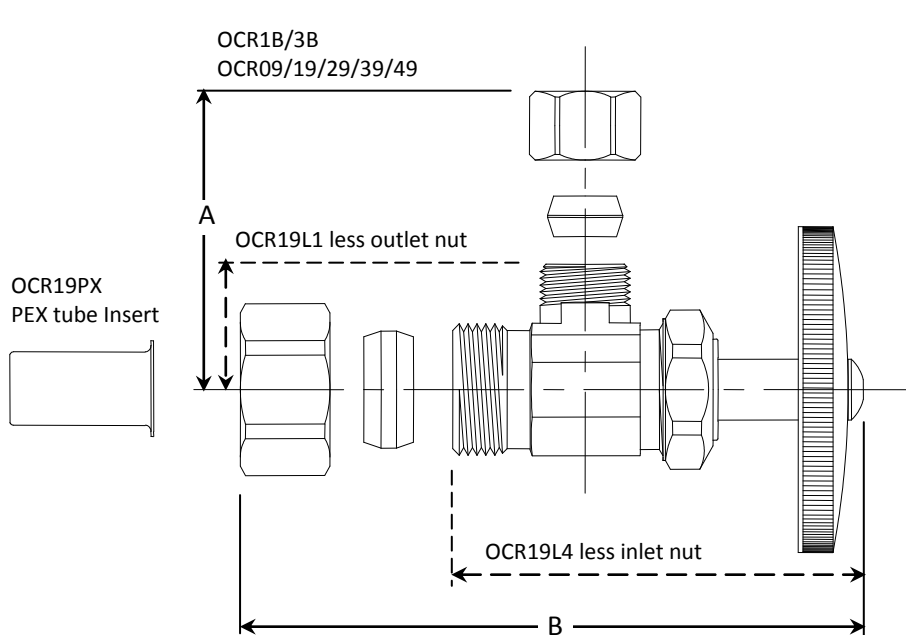
BrassCraft®

OCR1B/ OCR3B & OCR09/ OCR19/ OCR39/ OCR49

Multi-Turn Angle Stop – Compression x Compression

Compliant Part Listing (con't):

- OCR09X R 1/2" nom compression x 1/4" OD compression, rough brass
- OCR19X C 1/2" nom compression x 3/8" OD compression, chrome plated
- OCR19X C1 1/2" nom compression x 3/8" OD compression, chrome plated, window box
- OCR19X R 1/2" nom compression x 3/8" OD compression, rough brass
- OCR19X R1 1/2" nom compression x 3/8" OD compression, rough brass, window box
- OCR19L1X CB 1/2" nom compression x 3/8" OD compression, less outlet nut, chrome plated, bulk
- OCR19L1X RB 1/2" nom compression x 3/8" OD compression, less outlet nut, rough brass, bulk
- OCR19L4X C100T 1/2" nom compression x 3/8" OD compression, less inlet nut, chrome plated, 100 per case
- OCR19PXX C 1/2" nom compression x 3/8" OD compression, PEX insert, chrome plated
- OCR19ZX C 1/2" nom compression x 3/8" OD compression, brass stem, chrome plated
- OCR29X C 1/2" nom compression x 7/16" OD compression, chrome plated
- OCR29X C1 1/2" nom compression x 7/16" OD compression, chrome plated, window box
- OCR29X R 1/2" nom compression x 7/16" OD compression, rough brass
- OCR39X C 1/2" nom compression x 1/2" OD compression, chrome plated
- OCR39X CBT 1/2" nom compression x 1/2" OD compression, chrome plated, bulk
- OCR39X C1 1/2" nom compression x 1/2" OD compression, chrome plated, window box
- OCR39X R 1/2" nom compression x 1/2" OD compression, rough brass



PART DIMENSIONS (Inches)		
Model	DIM. A	DIM. B
OCR1B	1.02	2.75
OCR3B	1.11	2.75
OCR09	1.02	2.75
OCR19	1.02	2.75
OCR19K	1.02	2.75
OCR19L1	.74	2.75
OCR19L4	1.02	2.41
OCR19P	1.02	2.41
OCR19PX	1.02	2.41
OCR29	1.18	2.85
OCR39	1.11	2.85
OCR49	1.18	2.97

Listings & Certifications:

- IAPMO listed to ASME A112.18.1 / CSA B125.1 (File # 0645)
- CSA listed to ASME A112.18.1 / CSA B125.1 (File # 204593)
- Compliant product CSA listed to Low Lead Content Certification Program – Plumbing Products Class 6853-01



This specification and all information contained herein is the confidential and exclusive property of BrassCraft Manufacturing, and shall not be disclosed to others without the written consent of BrassCraft Mfg. This specification must be returned to BrassCraft Mfg if requested.

BrassCraft®