


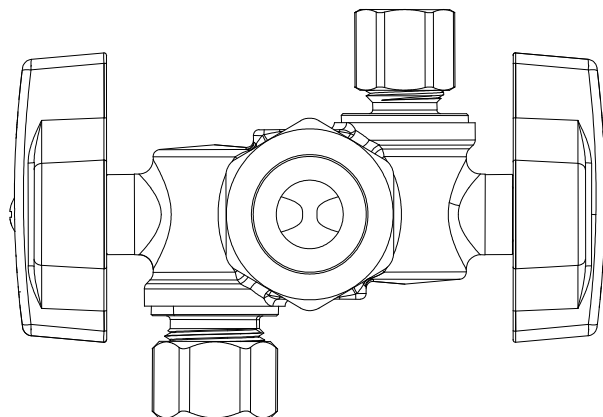
Job Name		Engineer / Architect	
Job Location		Wholesaler	
Submittal Date		Contractor	

KTCR1900DV/ KTCR1901DV 1/4 Turn Dual Outlet, Dual Shut-Off Ball Stop – Compression Inlet

Use: For use in potable water distribution systems

Design Features:

- **Precision-machined brass ball** is specially engineered and mated with PTFE seats to provide smooth operation without freeze ups even after long periods of non-use
- **TWO high-performance o-rings** withstand high temperatures and corrosion from harsh water environments
- **Machined one-piece brass body** provides strength, durability, and long-lasting performance
- **Blow-out proof brass stem** is assembled from the inside out with two o-rings to ensure safe, reliable performance
- **Plated stem** provides corrosion resistance and prevents o-ring damage after long periods of non-use
- **Patented, chrome plated metal handle** is designed for durability, corrosion resistance, and a sleek appearance
- **Easy-to-remove handle** helps protect against accidental stop operation during rough-ins
- **100%** Leak tested
- **100%** Compliant 



Operating Specifications:

Temperature: 40° - 180° F
Pressure: 125 PSI maximum

Standard

STOP MATERIAL SPECIFICATIONS	
Body	Brass
Stem	Brass, chrome plated
Handle	Zinc die cast, plated
Handle Screw	Steel, zinc plated
O-rings	Rubber
Ball	Brass, chrome plated
Seats	PTFE
Compression Sleeve	Brass
Compression Nut	Brass or brass, chrome plated

Compliant

STOP MATERIAL SPECIFICATIONS	
Body	Brass
Stem	Brass, chrome plated
Handle	Zinc die cast, plated
Handle Screw	Steel, zinc plated
O-rings	Rubber
Ball	Brass, chrome plated
Seats	PTFE
Compression Sleeve	Brass
Compression Nut	Brass or brass, chrome plated

This specification and all information contained herein is the confidential and exclusive property of BrassCraft Manufacturing, and shall not be disclosed to others without the written consent of BrassCraft Mfg. This specification must be returned to BrassCraft Mfg if requested.



KTCR1900DV/ KTCR1901DV 1/4 Turn Dual Outlet, Dual Shut-Off Ball Stop – Compression Inlet

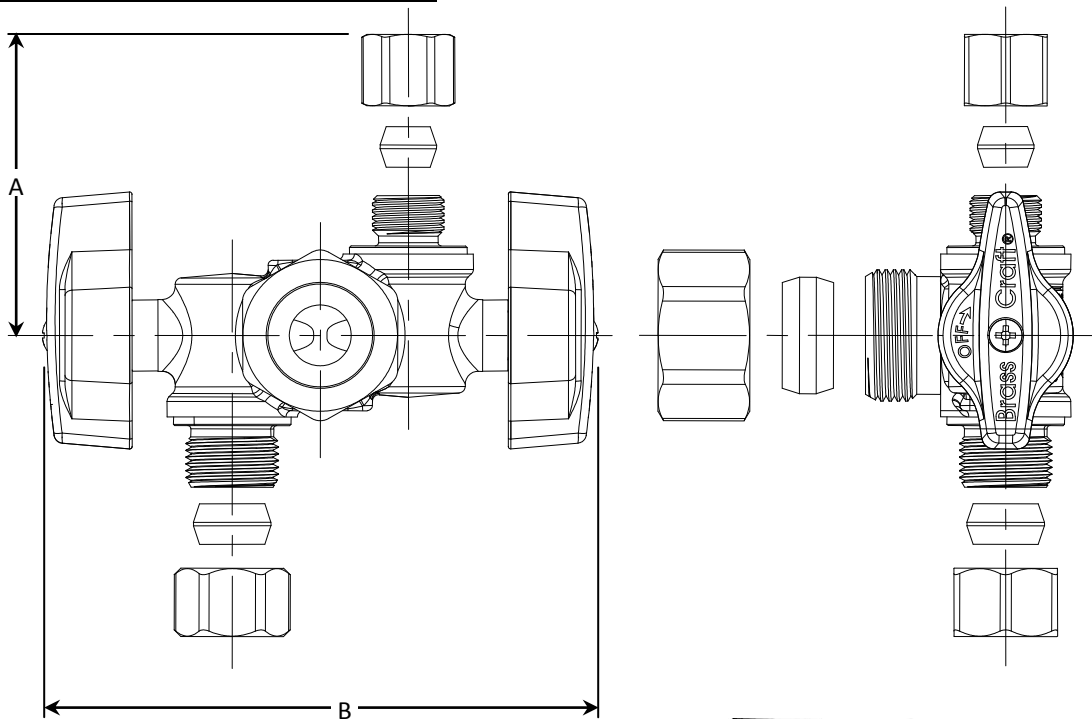
Part Listing:

- KTCR1900DV R 1/2" nom compression x 3/8" OD compression x 1/4" OD compression, rough brass
- KTCR1900DV R1 1/2" nom compression x 3/8" OD compression x 1/4" OD compression, rough brass, window tray
- KTCR1901DV R 1/2" nom compression x 3/8" OD compression x 3/8" OD compression, rough brass
- KTCR1901DV R1 1/2" nom compression x 3/8" OD compression x 3/8" OD compression, rough brass, window tray

Compliant Part Listing:

- KTCR1900DVX R 1/2" nom compression x 3/8" OD compression x 1/4" OD compression, rough brass
- KTCR1900DVX R1 1/2" nom compression x 3/8" OD compression x 1/4" OD compression, rough brass, window tray
- KTCR1901DVX R 1/2" nom compression x 3/8" OD compression x 3/8" OD compression, rough brass
- KTCR1901DVX R1 1/2" nom compression x 3/8" OD compression x 3/8" OD compression, rough brass, window tray

PART DIMENSIONS (Inches)		
Model	DIM. A	DIM. B
KTCR1900DV	1.14	3.35
KTCR1901DV	1.14	3.35



Listings & Certifications:

- IAPMO listed to ASME A112.18.1 / CSA B125.1 (File # 0645)



This specification and all information contained herein is the confidential and exclusive property of BrassCraft Manufacturing, and shall not be disclosed to others without the written consent of BrassCraft Mfg. This specification must be returned to BrassCraft Mfg if requested.

BrassCraft®