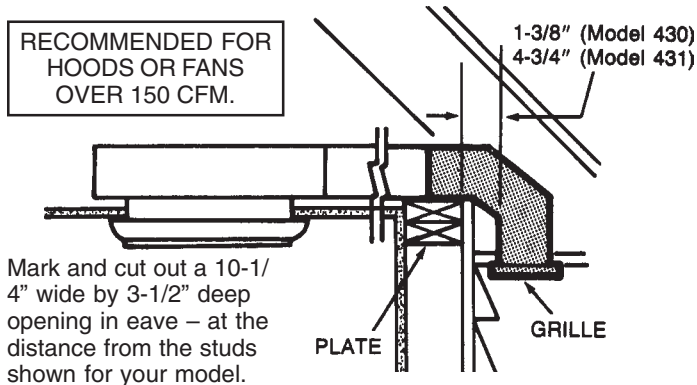


# ACCESSORIES - INSTALLATION INSTRUCTIONS

## MODEL 430 SHORT EAVE ELBOW

## MODEL 431 LONG EAVE ELBOW

RECOMMENDED FOR HOODS OR FANS OVER 150 CFM.

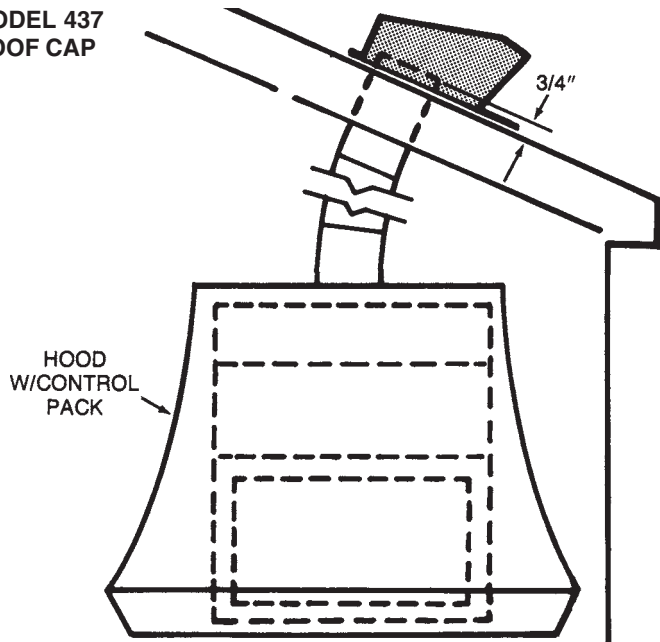


Mark and cut out a 10-1/4" wide by 3-1/2" deep opening in eave – at the distance from the studs shown for your model.

Insert discharge end of elbow (opening without the damper) over the top of the plate and down into the opening. Fasten discharge end of elbow to eave boards by nailing through the elbow. Connect the fan housing to the eave elbow with 3-1/4" by 10" duct. Fasten grille over eave end of elbow with the two wood screws provided.

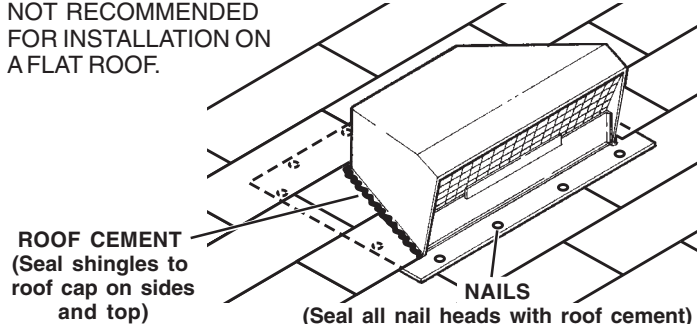
Caulk around grille. Tape all duct connections.

## MODEL 437 ROOF CAP



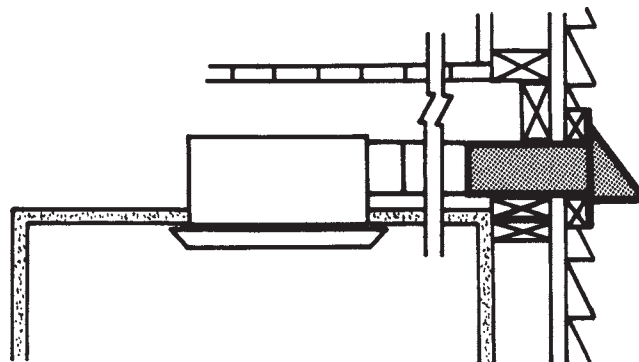
Cut a 10" round opening in the roof and extend the duct 3/4" above the roof on the high side. Nail roof cap down through flange on all sides (NOTE: If installed on a finished roof, insert upper edge of flange beneath shingles.) Use roof cement to seal shingles to top and sides of roof cap. Tape all duct connections.

NOT RECOMMENDED FOR INSTALLATION ON A FLAT ROOF.

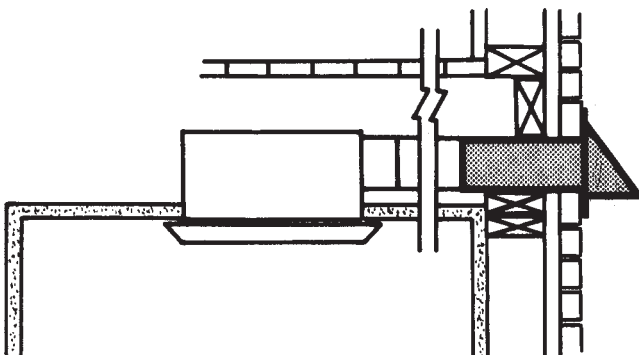


## MODEL 885BL WALL CAP

Cut a 3-1/4" round opening in sheathing and insert cap.



FRAME CONSTRUCTION: Use casing strips to space cap out flush with finished siding. Nail through flange on cap and into casing strips and sheathing. Connect fan to cap with 3" round duct. Tape all duct connections. Caulk around flange.



BRICK CONSTRUCTION: Position cap so that it will be flush with outer surface of brick. Nail in place through throat of cap. Connect fan to cap with 3" round duct. Tape all duct connections. Caulk around flange.