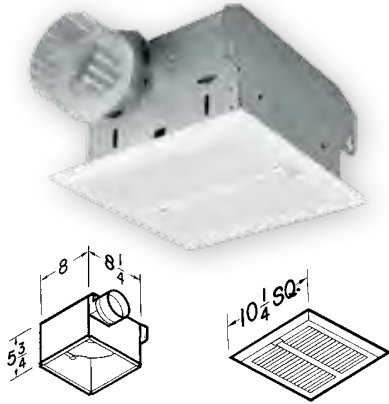


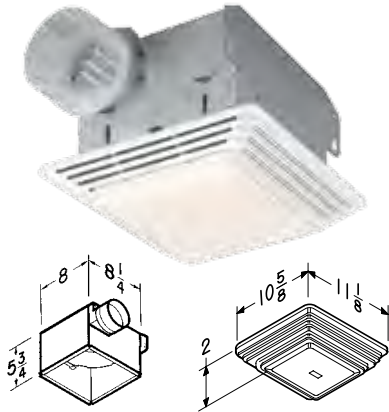
Bath Fans and Fan/Lights

Heavy-duty operation

Model HD50, HD80




Model HD50L, HD80L



- Enclosed motors with long-life bearings for continuous operation
- Rugged metal fan grille for added durability (HD50 and HD80)
- HD50 and HD80 can be mounted in wall or ceiling
- Grille torsion spring-mounted for easy installation
- Pre-wired outlet for plug-in motor plate
- AMCA licensed for both air and sound (HD50 and HD80)

Model	CFM	Sones	Lighting	Ducting
HD50*	50	1.5	—	4"
HD50L	50	1.5	100W	4"
HD80	80	2.5	—	4"
HD80L	80	2.5	100W	4"

 *ENERGY STAR® qualified.

Radiation/Fire Damper Fan Project Packs

A fire resistant screen automatically closes when excessive heat is detected. The breakaway fusible link triggers the closing of the radiation damper's fire resistant screen to prevent smoke and fire from traveling through the ductwork.




- 165° fusible link
- Galvanized Steel Frame
- Stainless steel negator-type closure spring
- UL Classified (UL Standard 555C) for use in 1-, 2-, 3-hour fire-rated floor-ceiling or roof-ceiling designs
- All models offered as Project Packs
- HD models feature a heavy-duty motor

Project Housing Pack includes:

- Rough-in housing with attached radiation/fire damper
- Adjustable hanger bars that span up to 24"
- 4" metal duct connector with damper

Model	CFM	Sones	Type/Pack	Quantity	Notes
RDH	—	—	Housing/4	—	—
RDJ1	—	—	Radiation Damper	—	—
80RDF	80	2.5	Finish/4	—	—
110RDF	110	4.0	Finish/4	—	—
HD50RDF*	50	1.5	Finish/4	Heavy-duty Motor	—
HD80RDF	80	2.5	Finish/4	Heavy-duty Motor	—

 *ENERGY STAR® qualified

Model RDH



Project Finish Packs include:

- Assembled motor plate, wheel and plug-in motor
- Rugged metal grille for added durability
- Works with 80RDF, 110RDF, HD50RDF and HD80RDF

Models 80RDF, 110RDF, HD50RDF & HD80RDF



Model RDJ1



Radiation Damper Accessory Kit includes:

- Radiation damper accessory with metal grille, metal duct connector, hanger bars and plaster guard (no housing)
- Works with 770, 784, 676, 684, HD50 and HD80



Specifications

Fans

Model	Page	CFM	Sones, HVI-certified	Baths up to () Sq Ft	ENERGY STAR*	Duct Size"	Housing Dims			Grille Dims		Grille finish	Amps
							L"	W"	H"	L"	W"		
80RDF**	30	80	2.5	75	—	4	8	8¼	5¾	10¼	10¼	White Acrylic Metal	0.6
110RDF**	30	110	4.0	105	—	4	8	8¼	5¾	10¼	10¼	White Acrylic Metal	0.6
670	29	50	3.5	45	—	3	7¼	7½	3%	9	9%	White Polymeric	0.8
671	29	70	6.0	65	—	3	7¼	7½	3%	9	9%	White Polymeric	1.2
676	29	110	4.0	100	—	4	8	8¼	5%	10%	11%	White Polymeric	1.3
682	31	—	—	—	—	Duct-free	7%	7%	3%	8%	8%	White Polymeric	1.0
684	29	80	2.5	75	—	4	8	8¼	5%	10%	11%	White Polymeric	0.5
688	29	50	4.0	45	—	3	7¼	7½	3%	9	9%	White Polymeric	0.9
689	29	60	5.5	55	—	3	7¼	7½	3%	9	9%	White Polymeric	1.5
690*	31	60	3.0	55	—	—	—	—	—	9%	11%	White Polymeric	1.5
770	28	50	1.5	45	Yes	4	8	8¼	5%	10%	11%	White Polymeric	0.2
784	28	80	2.0	75	Yes	4	8	8¼	5%	10%	11%	White Polymeric	0.5
HD50	30	50	1.5	45	Yes	4	8	8¼	5%	10%	10%	White Painted Metal	0.4
HD50RDF**	30	50	1.5	45	Yes	4	8	8¼	5%	10¼	10¼	White Acrylic Metal	0.4
HD80	30	80	2.5	75	—	4	8	8¼	5%	10%	10%	White Painted Metal	0.6
HD80RDF**	30	80	2.5	75	—	4	8	8¼	5¾	10¼	10¼	White Acrylic Metal	0.6
LP80	28	80	1.0	75	Yes	4 / 3	11%	10%	4	13	14	White Polymeric	0.3
SPK110	34	110	1.0	75	Yes	4	11%	10%	7¾	13	14	White Polymeric	0.9
SSQTXE080	24	80	—	—	Yes	—	11%	10%	7¾	—	—	—	—
SSQTXE110	24	110	—	—	Yes	—	11%	10%	7¾	—	—	—	—
QTXE050	20	50	<0.3	45	Yes	6	11%	10%	7%	13	14	White Polymeric	0.3
QTXE080	20	80	0.3	75	Yes	6	11%	10%	7%	13	14	White Polymeric	0.4
QTXE110	20	110	0.7	100	Yes	6	11%	10%	7%	13	14	White Polymeric	0.3
QTXE110S	22	110	0.7	100	Yes	6	11%	10%	7%	12¼	13¾	White Polymeric	0.3
QTXE150	20	150	1.4	140	Yes	6	11%	10%	7%	13	14	White Polymeric	0.5
QTRE100S	22	100	1.5	90	Yes	4	11%	10½	7%	12¼	13¾	White Polymeric	0.3
QTRE080	20	80	0.8	75	Yes	4	11%	10%	7%	13	14	White Polymeric	0.4
QTRE080C2S	20	80/40	0.8/<0.3	75	Yes	4	11%	10%	7%	13	14	White Polymeric	0.3
QTRE080R	23	80	0.8	75	Yes	4	11%	10%	7%	13	14	White Polymeric	0.3
QTRE110	20	110	1.3	100	Yes	4	11%	10½	7%	13	14	White Polymeric	0.3
QTR080	20	80	1.0	75	—	4	11%	10%	7%	13	14	White Polymeric	0.7
QTR110	20	110	1.5	100	—	4	11%	10%	7%	13	14	White Polymeric	0.9
RB80	15	80	<0.3	—	Yes	4	11%	10%	7%	13	14	White Polymeric	0.3
RB110	15	110	0.6	—	Yes	4	11%	10%	7%	13	14	White Polymeric	0.9
XB50	17	50	<0.3	45	Yes	6 / 4	10%	11%	7%	13	14	White Polymeric	0.1
XB80	17	80	<0.3	75	Yes	6 / 4	10%	11%	7%	13	14	White Polymeric	0.1
XB110	17	110	<0.3	100	Yes	6	10%	11%	7%	13	14	White Polymeric	0.2
XB110H	17	110	<0.3	100	Yes	6	10%	11%	7%	13%	14	White Polymeric	0.2
ZB80	17	80	<0.3	75	Yes	6 / 4	10%	11%	7%	13	14	White Polymeric	0.1
ZB80M	17	80	<0.3	75	Yes	6 / 4	10%	11%	7%	13%	14	White Polymeric	0.1
ZB110	17	110	<0.3	100	Yes	6	10%	11%	7%	13%	14	White Polymeric	0.2
ZB110H	17	110	<0.3	100	Yes	6	10%	11%	7%	13%	14	White Polymeric	0.2
ZB110M	17	110	<0.3	100	Yes	6	10%	11%	7%	13%	14	White Polymeric	0.2

Radiation Dampers can be found on page 30. *Replacement grille and motor kit. **Model RDH fan housing only sold separately for radiation dampers/fans.

Utility Fans

Model	Page	CFM	Sones	Housing Dimensions			Grille Dimensions		Amps	Duct Size
				L"	W"	H"	L"	W"		
12C	39	360	8.0	—	11½ Sq	—	13½ Sq	1.7	Direct Discharge	
502	38	270	8.0	16"	13"	3%	13½ Sq	1.7	3¼" x 10"	
503	38	160	5.0	14	12	3%	11½ Sq	1.5	3¼" x 10"	
504	39	350	6.5	—	10% Rd	7	13½ Sq	1.7	10"	
505	39	180	6.5	—	8% Rd	7	11½ Sq	1.5	8"	
506	38	470	8.0	—	10% Rd	—	13½ Sq	1.7	Direct Discharge	
507	38	250	7.0	—	8% Rd	—	11½ Sq	1.5	Direct Discharge	
508	39	270	6.0	—	10% Rd	—	13½ Sq	1.7	Direct Discharge	
509	39	180	6.5	—	8% Rd	—	13½ Sq	1.5	Direct Discharge	
509S	39	180	6.5	—	8% Rd	—	13½ Sq	1.5	Direct Discharge	
510	38	380	6.5	—	11½ Sq	—	13½ Sq	1.7	Room to room wall fan	
511	38	180	4.5	—	11½ Sq	—	13½ Sq	0.9	Room to room wall fan	
512	39	90	3.5	—	6 Rd	—	8 Dia	0.7	Room to room wall fan	
512M	39	70	3.5	—	6 Rd	—	8 Dia	0.7	Direct Discharge	
673	39	60	4.5	—	6% Rd	5%	8 Dia	1.0	6"	

*Not for use with dryers.