



Models 192, 194 & 198

Steel-sheathed, plate-finned, heavy-duty enclosed heating element.

- Adjustable, built-in, heavy-duty, disc-type thermostat
- Manual reset overload protection
- Internal fan delay prevents cold air delivery

Model 192

- Factory wired for 2000W at 240V AC—easily converts to half-wattage

Model 194

- Factory wired for 3000W at 240V AC—easily converts to half-wattage

Model 198

- Factory wired for 4000W at 240V AC—easily converts to half-wattage

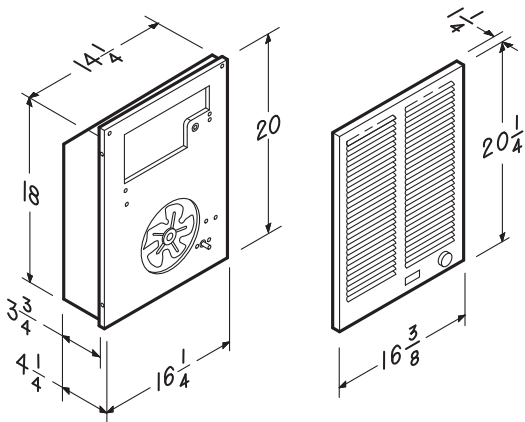
Model*	Watts	Volts	Amps
192	750W–1500W	208	3.61/7.21
	1000W–2000W	240	4.17/8.33
194	1125W–2250W	208	5.41/10.82
	1500W–3000W	240	6.25/12.5
198	1500W–3000W	208	7.21/14.42
	2000W–4000W	240	8.33/16.67
9810WH	1000	120/240	9.0/4.5
9815WH	1500	120/240	13.0/6.5

*To be used to supply supplemental heat.

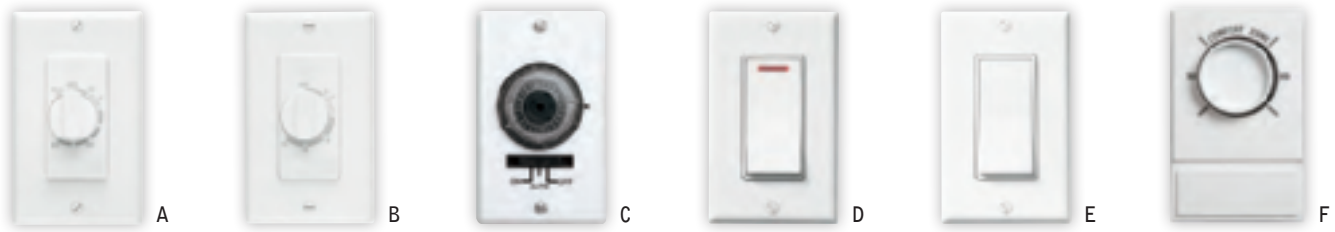
Surface Mounting Kit

Model 85

- Includes all hardware for surface mounting of Broan High-Capacity heaters
- Color coordinated to match heater grille
- Heavy-duty 22-gauge steel
- Measures 17-3/4"W x 21-5/8"H x 3-3/4"D
- Not for use with models 9810WH and 9815WH



Broan Heaters—Wall Control



A. Model 59W, 59V

- Timer control up to 60 minutes
- Fits single-gang box
- 120V, 20 amps; 240V, 10 amps
- Blister packs available
- Operate continuously or for any set period

B. Model 61W, 61V

- Timer control up to 15 minutes
- Fits single-gang box
- 120V, 20 amps; 240V, 10 amps
- Blister packs available
- Operate for any set period up to 15 minutes (no “continuous on” position)

C. Model T24H

- 24-Hour programmable timer
- 120V, 8 amps inductive load
- Sets up to 36 on/off cycles as short as 20 minutes
- Manual on/off override switch
- Fits single-gang box

D. Model 69WL, 69VL

- Single-Function Control with indicator light
- Red light indicates power is on
- For use with Ultra Silent™ Series fan units, or Remote In-Line Ventilators
- 120V, 20 amps
- Blister packs (P69WL, P69VL)

E. Model 69W, 69V

- Single-Function Control
- 120V, 15 amps

F. Model 86W

- For use with heater models 120, 124 and 128 (see page 7)
- Single-pole, 120V/240VAC, 22 amps
- 50° to 85° temperature range
- Snap-action, bimetallic sensing strip

Heaters

	Heater				Housing Dimensions			Grille Dimensions		Grille Finish	Project Packs	
	Wattage	Volts	Amps	BTU/hr	W"	H"	D"	W"	H"		Housing	Finish Kit
112	750	120	6.3	2560	18	3%	12	19%	3%	White Baked Enamel		
	1125	208	5.4	3840	18	3%	12	19%	3%			
114	1500	120	12.5	5120	18	3%	12	19%	3%	White Baked Enamel		
	1500	240	6.3	5120	18	3%	12	19%	3%			
120	500/1000	120	4.16/8.33	1707/3413	10%	7%	3%	14%	9%	White Baked Enamel		
	750	208	3.61	2560	10%	7%	3%	14%	9%			
	1000	240	4.16	3413	10%	7%	3%	14%	9%			
124	750/1500	120	6.25/12.5	2560/5120	10%	7%	3%	14%	9%	White Baked Enamel		
	1125	208	5.41	3840	10%	7%	3%	14%	9%			
	1500	240	6.25	5120	10%	7%	3%	14%	9%			
128	750/1500	208	3.61/7.21	2560/5120	10%	7%	3%	14%	9%	White Baked Enamel		
	1000/2000	240	4.16/8.33	3413/6827	10%	7%	3%	14%	9%			
154	1250	120	10.7	4266	11 Dia	2%	—	—	—	Satin Aluminum		
157	1250	120	10.7	4266	11 Dia	2%	—	—	—	Satin Aluminum		
170	500/1000	120	4.16/8.33	1707/3413	10%	7%	3%	12	9%	White Baked Enamel	171H	165F*, 165FT**, 167F*, 167FT**, 170F*, 170FT**
	750	208	3.61	2560	10%	7%	3%	12	9%			
	1000	240	4.16	3413	10%	7%	3%	12	9%			
174	750/1500	120	6.25/12.5	2560/5120	10%	7%	3%	12	9%	White Baked Enamel	171H	165F*, 165FT**, 167F*, 167FT**, 174F*, 174FT**
	1125	208	5.41	3840	10%	7%	3%	12	9%			
	1500	240	6.25	5120	10%	7%	3%	12	9%			
178	750/1500	208	3.61/7.21	2560/5120	10%	7%	3%	12	9%	White Baked Enamel	171H	165F*, 165FT**, 167F*, 167FT**, 178F*, 178FT**
	1000/2000	240	4.16/8.33	3413/6827	10%	7%	3%	12	9%			
192	750/1500	208	3.61/7.21	2560/5120	14%	20	4%	16%	20%	White Baked Enamel		
	1000/2000	240	4.17/8.33	3413/6827	14%	20	4%	16%	20%			
194	1125/2250	208	5.41/10.82	3840/7677	14%	20	4%	16%	20%	White Baked Enamel		
	1500/3000	240	6.25/12.5	5120/10236	14%	20	4%	16%	20%			
198	1500/3000	208	7.21/14.42	5120/10240	14%	20	4%	16%	20%	White Baked Enamel		
	2000/4000	240	8.33/16.67	6827/13653	14%	20	4%	16%	20%			
6201	1200/1500	120	10.0/12.5	4095/5120	5%	5%	6	3%	3%	Grey Baked Enamel		
9810WH	1000	120/240	9.0/4.5	3413	10½	12½	3%	11½	14¾	White Polymeric		
9815WH	1500	120/240	13.0/6.5	5120	10½	12½	3%	11½	14¾	White Polymeric		

Project Packs. To reduce jobsite damage, Broan Heaters can be ordered in project packs which feature housings packed separately from the finish kit. Install the housing and when drywall and painting is complete, add the heating element and grille.

*Use Project Pack Model Number 83 Thermostat Kit with these models. **Includes built-in thermostat.

F and FT models are factory wired at 500–750 Watts.