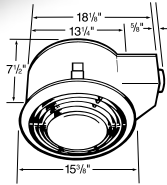


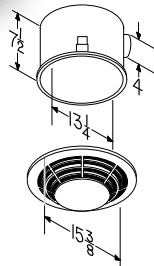
9093 Series Features

- Powerful ventilation
- Extra-quiet operation
- Bright ceiling light
- Convenient night light
- White enamel grille
- 1500 watts of powerful heat
- Includes a four-function wall switch
- Fits 2" x 8" ceiling construction

Model QT9093WH



Model 9093WH



Model	CFM	Sones	Lighting	Heat
QT9093WH	110	3.0	100/7	1500W
9093WH	70	3.5	100/7	1500W

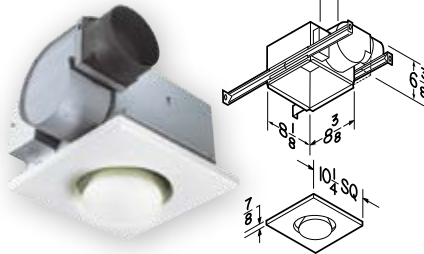
Bulb Heater Fans. Silent warmth and superior ventilation.

Trust NuTone Bulb Heater/Fans and Bulb Heaters for energy-saving warmth and instant comfort without ever having to touch your central thermostat. These units deliver superior performance and excellent ventilation in a compact package.

Bulb Heater/Fan Features

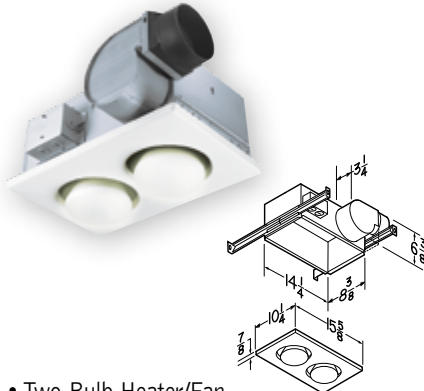
- Quiet, highly efficient polymeric blower wheels
- Polymeric dampers prevent backdrafts and eliminate mechanical noise
- Polymeric 4" round duct connectors with tapered sleeves simplify ducting
- Operate fan and heater independently or together
- Attractive white polymeric grilles
- Compact steel housings with adjustable mounting brackets with keyhole slots that span up to 24"
- 250-watt R40 or BR40 size infrared bulbs (not included)
- Type IC, UL Listed for 60°C wiring (retrofits)

Model 9417DN



- One-Bulb Heater/Fan

Model 9427P



- Two-Bulb Heater/Fan
- Two-function control (available separately)

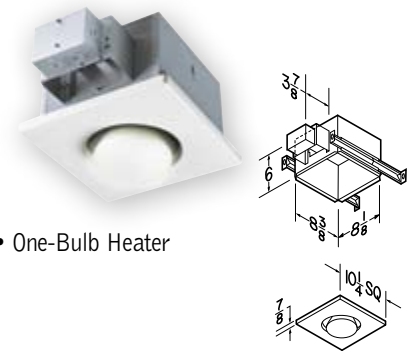
Model	CFM	Sones	Heat
9417DN	70	3.5	250W*
9427P	70	3.5	500W*

*Infrared bulbs not included

Bulb Heaters Only

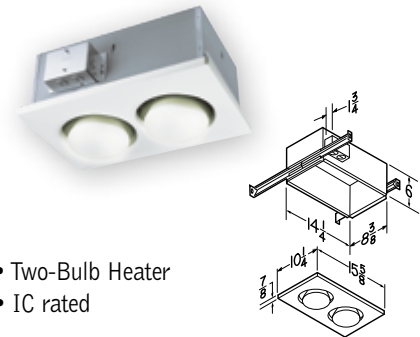
- Infrared bulbs deliver energy-saving warmth
- Get instant comfort in the bathroom without turning up the central thermostat
- 250-watt R40/BR40 size infrared bulbs (not included)
- Attractive, white polymeric grilles
- Compact steel housings
- Adjustable mounting brackets with keyhole slots span up to 24"

Model 9412D



- One-Bulb Heater

Model 9422P



- Two-Bulb Heater
- IC rated

Model	Watts	Volts	Amps
9412D*	250	120	2.1
9422P	500	120	4.6

*9412D is not IC rated

Ventilation Fans—Wall Control Selection Guide

		57W, 57V	P59W	61W, 61V	66W, 66V, P66W	68W, 68V	69WL 69VL	70TW	72W, 72V	77DW, 77DV	78W, 78V	DH100W	VS63WH	VS66WH	VS67WH	VS68WH	VS69WH
Ventilation Fans	50NT, 80NT	•	•	•			•	•	•			•					
	671R, 672R		•					•				•	•				
	682NT		•					•					•				
	695, 696N	•	•					•	•			•	•				
	8814R, 8832SA, 8832WH		•					•				•	•				
	HD50NT, HD80NT	•	•	•			•	•	•			•					
	LPN80	•		•			•	•	•								
	QT Fans*	•	•				•	•	•		•		•	•			
	QTRN050						•				•						
	QTXEN110S						•				•						
	XN110H					•	•										
	XN50, XN80, XN110						•										
	ZN110H						•										
	ZN80, ZN110						•										
	ZN80M, ZN110M						•	•									
Ventilation Fan/Lights	668RP	•	•			•		•	•			•	•	•		•	
	742RBNT	•	•			•		•	•			•		•		•	
	744NT, 744FLNT		•			•		•				•		•		•	
	744SFLNT		•			•						•		•		•	
	763RLN, 769RFT, 769RL		•			•		•				•		•		•	
	778WHNT	•		•			•	•	•								
	8663RP	•			•			•	•			•			•		•
	8664RP	•	•			•		•	•			•		•		•	
	HD50LNT, HD80LNT	•				•		•	•	•		•	•				
	QT Fan/Lights	•			•			•	•			•			•		•
	QTNLEDA, QTNLEDB	•			•			•	•			•			•		•
	QTXEN110SFLT, QTXN110SL		•							•							
	XN110HL				•					•							
	XN50L, XN80L, XN110L				•												
	ZN110HL				•												
	ZN80L, ZN110L									•							
	ZN80ML, ZN110ML									•							
Heater/ Fan/Lights	605RP	•	•					•	•				•	•		•	
	665RP		•					•					•		•		•
	765HL, 765HFL	•	•	•	•			•	•			•					
	9412D												•				
	9417DN		•			•		•					•	•		•	
	9422P		•		•	•							•	•		•	
	9427P		•		•			•					•	•	•	•	•
	9905	•	•					•	•				•	•		•	
	9960												•		•		•
	9965							•		•							
	QT9093WH, 9093WH							•		•							
	QTXN110HL, QTXN110HFL	•	•	•	•			•	•	•			•	•			
Utility Fans	8210, 8310, QT200	•	•					•	•			•	•				
	QT300		•					•	•			•	•				

*Does not include models QT200 and QT300.

Ventilation Fans—Product Specifications

Fan/Lights continued

	Page	CFM	Sones HVI certified	Baths up to () Sq Ft	Rooms up to () Sq Ft	Lighting Watts Main/Night Light	ENERGY STAR*	Duct Size"	Housing Dimensions			Grille Dimensions			Grille finish	Amps
									L"	W"	H"	L"	W"	D"		
HD50LNT	28	50	1.5	45	—	100W	No	4	8	8¼	5	10%	11½	2	White Polymeric	1.3
HD80LNT	28	80	2.5	75	—	100W	No	4	8	8¼	5	10%	11½	2	White Polymeric	1.7
QTLEDA	33	110	0.7	100	—	2-18W GU24	Yes	6 or 4	11½	10½	7%	13¾ SQ	3½	—	White Polymeric	1.0
QTLEDB	33	110	0.7	100	—	2-18W GU24	Yes	6 or 4	11½	10½	7%	13¾ SQ	3½	—	White Polymeric	1.0
QTREN080FLT	21	80	0.8	75	—	2-18W GU24/4W	Yes	4	11½	10½	7%	13	14	—	White Polymeric	1.0
QTREN110FLT	21	110	1.3	100	—	2-18W GU24/4W	Yes	4	11½	10½	7%	13	14	—	White Polymeric	1.0
QTRN080L	21	80	1.0	75	—	100W/4W	No	4	11½	10½	7%	13	14	—	White Polymeric	1.6
QTRN110L	21	110	1.5	100	—	100W/4W	No	4	11½	10½	7%	13	14	—	White Polymeric	1.8
QTXEN080FLT	21	80	0.3	75	—	2-18W GU24/4W	Yes	6	11½	10½	7%	13	14	—	White Polymeric	1.0
QTXEN110FLT	21	110	0.7	100	—	2-18W GU24/4W	Yes	6	11½	10½	7%	13	14	—	White Polymeric	1.0
QTXEN110SFLT	22	110	0.7	100	—	42W flour./4W	Yes	6	11½	10½	7%	13	13¾	—	White Polymeric	1.0
QTXEN150FLT	21	150	1.4	140	—	2-18W GU24/4W	Yes	6	11½	10½	7%	13	14	—	White Polymeric	1.2
QTXN110SL	22	110	0.9	100	—	100W/4W	No	6	11½	10½	7%	12%	13¾	—	White Polymeric	1.0

Utility Fans

	Page	CFM	Sones	Housing Dimensions			Grille Dimensions		Amps*	Duct"
				L"	W"	H"	L"	W"		
8210	35	210	6.5	9 Dia. x 5¼			11 Diameter		0.82	7
8310	35	160	5.0	13¾	11½	3¾	11 Diameter		1.0	3¼ x 10
QT200	35	200	2.0	14¼	10	9	16½	12¾	1.0	3¼ x 10
QT300	35	300	4.5	14¼	10	9	16½	12¾	2.5	3¼ x 10

In-Line Ventilators

	Page	0.2" Ps CFM	Sones	Housing Dimensions				Amps
				Height	Duct Collar	Fan Diameter	Duct	
ILF120	36	110	—	10	3%	10	4	0.37
ILF130	36	130	—	7¾	4%	10	5	0.37
ILF250	36	250	—	9%	5%	12	6	0.8
ILF360	36	360	—	13%	7%	13½	8	0.87
ILF530	36	530	—	11¼	9%	13½	10	2
ILFK120	37	110	—	10	3%	10	4	0.37
ILFK130	37	130	—	7¾	4%	10	5	0.37
ILFK250	37	250	—	9%	5%	12	6	0.8
ILFK2502	37	250	—	9%	5%	12	6	0.8
ILRF	36	150	—	10	3%/4%	10	4 or 5	0.8

Heater/Fan/Lights

	Page	CFM	Sones, HVI-certified	Lighting Watts Main/Night Light	Housing Dimensions			Grille Dimensions		Grille finish	Duct Size"	Amps	Total Connected Load In Watts	Element Watts	Exhaust Motor Watts	Heating Motor Watts	BTU
					L"	W"	H"	L"	W"								
605RP	40	70	4.0	—	14%	7%	5%	16¼	9%	White Polymeric	4	13.5	1620	1500	60	60	5118
665RP	40	70	4.0	100W	14%	7%	5%	16¼	9%	White Polymeric	4	14.2	1720	1500	60	60	5118
765HL	39	100	2.0	100W	16	10¼	5%	17½	11½	White Polymeric	4	14.5	1830	1500	55	55	5120
765HFL	39	100	2.0	27W Fluor. (Incl.)	16	10¼	5%	17½	11½	White Polymeric	4	14	1760	1500	55	55	5120
9093WH	41	70	3.5	100W/7W	13¼ Dia x 7½		15% Dia			White Enamel	4	14.2	1717	1500	55	55	5118
9417DN	41	70	3.5	250W	8%	8%	6%	10¼	10¼	White Polymeric	4	2.6	310	—	60	—	853
9427P	41	70	3.5	2-250W	14%	8%	6%	10¼	15%	White Polymeric	4	5.0	560	—	60	—	1706
9905	40	70	4.0	—	14	9¾	7¾	16	10%	White Polymeric	4	13.5	1620	1500	60	60	5118
9960	40	—	—	100W/7W	14	9¾	7¾	16	10%	White Polymeric	—	13.9	1667	1500	—	60	5118
9965	40	70	4.0	100W/7W	14	9¾	7¾	16	10%	White Polymeric	4	14.2	1727	1500	60	60	5118
QT9093WH	41	110	3.0	100W/7W	18%	13¾	7½	15% Dia		White Enamel	4	14.2	1717	1500	55	55	5118
QTXN110HL	39	110	0.9	2-60W/7W	17%	11%	7%	20	15	White Polymeric	6	14.6	1710	1500	55	55	5120
QTXN110HFLT	39	110	0.9	36W Fluor. (GU24 Incl.)/7W	17%	11%	7%	20	15	White Polymeric	6	13.9	1626	1500	55	55	5120

Heater Only

	Page	Watts	Volts	Heating Motor Amps	BTU/hr	Housing Dimensions			Grille Dimensions		Grille finish
						W"	H"	D"	W"	H"	
9412D	41	250	120	2.1	853	8%	8%	6	10¼	10¼	White Polymeric
9422P	41	500	120	4.6	1706	14%	8%	6	15%	10¼	White Polymeric