

Broan Ventilation Fans. Where high function meets practical design.

In the short span of less than an hour each day, steamy showers can produce mold and mildew-fostering vapor. Look to Broan, the ventilation experts, to help you keep your house fresh.

Broan engineers the right product to fit every application, room size and need. Select from a variety of features that best meet your spot ventilation needs. Begin by assessing your application, room size and needs to determine how powerful the blower should be or whether you could use additional lighting in your space. Think about what product style, finish or shape would look best in your space.

Rest assured, if you're concerned about saving money and energy, Broan bath fans that feature the Energy Star® logo can reduce energy consumption by as much as 65%. Broan has the perfect product designed around your needs.



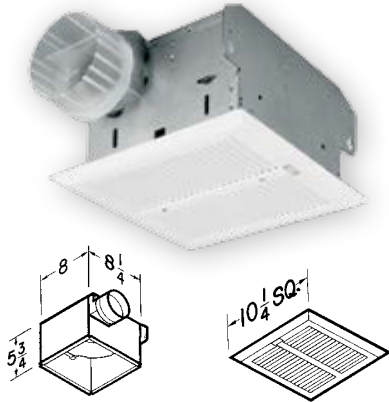
selection

There's a
Broan ventilation solution
perfectly matched to
your needs for power, size,
style and budget.

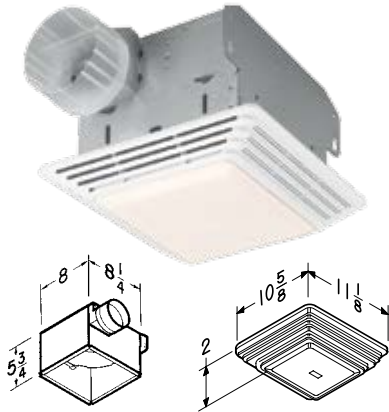
Bath Fans and Fan/Lights

Heavy-duty operation

Model HD50, HD80




Model HD50L, HD80L



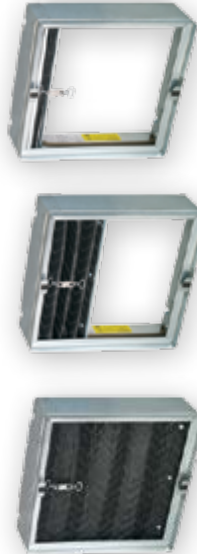
- Enclosed motors with long-life bearings for continuous operation
- Rugged metal fan grille for added durability (HD50 and HD80)
- HD50 and HD80 can be mounted in wall or ceiling
- Grille torsion spring-mounted for easy installation
- Pre-wired outlet for plug-in motor plate
- AMCA licensed for both air and sound (HD50 and HD80)

Model	CFM	Sones	Lighting	Ducting
HD50*	50	1.5	—	4"
HD50L	50	1.5	100W	4"
HD80	80	2.5	—	4"
HD80L	80	2.5	100W	4"

 *ENERGY STAR® qualified.

Radiation/Fire Damper Fan Project Packs

A fire resistant screen automatically closes when excessive heat is detected. The breakaway fusible link triggers the closing of the radiation damper's fire resistant screen to prevent smoke and fire from traveling through the ductwork.




- 165° fusible link
- Galvanized Steel Frame
- Stainless steel negator-type closure spring
- UL Classified (UL Standard 555C) for use in 1-, 2-, 3-hour fire-rated floor-ceiling or roof-ceiling designs
- All models offered as Project Packs
- HD models feature a heavy-duty motor

Project Housing Pack includes:

- Rough-in housing with attached radiation/fire damper
- Adjustable hanger bars that span up to 24"
- 4" metal duct connector with damper

Model	CFM	Sones	Type/Pack	Quantity	Notes
RDH	—	—	Housing/4	—	—
RDJ1	—	—	Housing/1	—	—
80RDF	80	2.5	Finish/4	—	—
110RDF	110	4.0	Finish/4	—	—
HD50RDF*	50	1.5	Finish/4	Heavy-duty Motor	—
HD80RDF	80	2.5	Finish/4	Heavy-duty Motor	—

 *ENERGY STAR® qualified

Model RDH



Project Finish Packs include:

- Assembled motor plate, wheel and plug-in motor
- Rugged metal grille for added durability
- Works with 80RDF, 110RDF, HD50RDF and HD80RDF

Models 80RDF, 110RDF, HD50RDF & HD80RDF



Model RDJ1



Radiation Damper Accessory Kit includes:

- Radiation damper accessory with metal grille, metal duct connector, hanger bars and plaster guard (no housing)
- Works with 770, 784, 676, 684, HD50 and HD80



Fan/Lights

Model	Page	CFM	Sones, HVI-certified	Baths up to () Sq Ft	Lighting Watts Main/ Night Light	ENERGY STAR	Fluorescent Lighting	Duct Size"	Housing Dims			Grille Dims		Grille finish	Amps
									L"	W"	H"	L"	W"		
657	29	70	4.0	65	100	—	—	4	14%	8%	5%	16%	10%	White Polymeric	2.0
678	29	50	2.5	45	100	—	—	4	8%	8	5%	11%	10%	White Polymeric	1.6
679	29	70	3.5	65	100	—	—	4	8%	8	5%	11%	10%	White Polymeric	2.0
680	29	100	4.0	90	100	—	—	4	8%	8	5%	11%	10%	White Polymeric	2.2
696	29	100	4.5	90	100	—	—	4	14%	8%	5%	16%	10%	White Polymeric	2.0
741SN	36	70	3.5	65	120 (2-60W)	—	—	4	8%	8	5%	13% Dia	—	Satin Nickel	2.2
741WH	36	70	3.5	65	120 (2-60W)	—	—	4	8%	8	5%	13% Dia	—	White	2.2
744	35	70	1.5	65	75	—	—	4	8%	12%	6%	7% Dia	—	Matte White	1.2
744FL	35	70	1.5	65	14	Yes	Yes	4	8%	12%	6%	7% Dia	—	Matte White	0.7
744LED	35	70	1.5	65	14W LED	Yes	—	4	8%	12%	6%	7% Dia	—	Matte White	0.55
744SFL	35	70	1.5	65	14	Yes	Yes	4	8%	12%	6%	7% Dia	—	Matte White	0.7
750	29	100	3.5	90	100/7	—	—	4	9	9	6	15 Dia	—	White Polymeric	1.9
751	29	100	3.5	90	100	—	—	4	9	9	6	15 Dia	—	White Polymeric	1.9
754RB	37	70	3.5	65	120 (2-60W)	—	—	4	8%	8	5%	13% Dia	—	Oil-rubbed Bronze	2.2
754SN	37	70	3.5	65	120 (2-60W)	—	—	4	8%	8	5%	13% Dia	—	Nickel	2.2
757SN	37	80	2.5	75	120 (2-60W)	—	—	4	8%	8	5%	13% Dia	—	Satin Nickel	1.6
761BN	36	80	2.5	75	120 (2-60W)	—	—	4	8%	8	5%	13% Dia	—	Brushed Nickel	1.6
761RB	36	80	2.5	75	120 (2-60W)	—	—	4	8%	8	5%	13% Dia	—	Oil-rubbed Bronze	1.6
761WHA	36	80	2.5	75	120 (2-60W)	—	—	4	8%	8	5%	13% Dia	—	White	1.6
764BN	37	80	2.5	75	120 (2-60W)	—	—	4	8%	8	5%	13% Dia	—	Brushed Nickel	1.6
764RB	37	80	2.5	75	120 (2-60W)	—	—	4	8%	8	5%	13% Dia	—	Oil-rubbed Bronze	1.6
764WH	37	80	2.5	75	120 (2-60W)	—	—	4	8%	8	5%	13% Dia	—	White	1.6
766BN	36	80	2.5	75	120 (2-60W)	—	—	4	8%	8	5%	13% Dia	—	Brushed Nickel	1.6
766RB	36	80	2.5	75	120 (2-60W)	—	—	4	8%	8	5%	13% Dia	—	Oil-rubbed Bronze	1.6
778WH	28	80	2.0	75	2-13W GU24	Yes	Yes	4	8%	8	5%	13% Dia	—	White	0.5
HD50L	30	50	1.5	45	100	—	—	4	8	8%	5%	10%	10%	White Polymeric	0.4
HD80L	30	80	2.5	75	100	—	—	4	8	8%	5%	10%	10%	White Polymeric	0.6
QTR080L	21	80	1.0	75	100/4	—	—	4	11%	10%	7%	12%	14	White Polymeric	1.6
QTR110L	21	110	1.5	100	100/4	—	—	4	11%	10%	7%	12%	14	White Polymeric	1.8
QTRE080FLT	21	80	0.8	75	2-18W fluor/4	Yes	Yes	4	11%	10%	7%	12%	14	White Polymeric	1.0
QTRE110FLT	21	110	1.3	100	2-18W fluor/4	Yes	Yes	4	11%	10%	7%	12%	14	White Polymeric	1.0
QTX110SL	22	110	0.9	100	100/4	—	—	6	11%	10%	7%	13	13%	White Polymeric	0.3
QTXE080FLT	21	80	0.3	75	2-18W fluor/4	Yes	Yes	6	11%	10%	7%	13%	14%	White Polymeric	1.0
QTXE110FLT	21	110	0.7	100	2-18W fluor/4	Yes	Yes	6	11%	10%	7%	13%	14%	White Polymeric	1.0
QTXE110SFLT	22	110	0.7	100	2-18W fluor/4	Yes	Yes	6	11%	10%	7%	12%	13%	White Polymeric	0.3
QTXE150FLT	21	150	1.4	140	2-18W fluor/4	Yes	Yes	6	11%	10%	7%	13%	14%	White Polymeric	1.2
XB50L	17	50	<0.3	45	2-18W fluor/4	Yes	Yes	6 / 4	10%	11%	7%	13	13%	White Polymeric	0.7
XB80L	17	80	<0.3	75	2-18W fluor/4	Yes	Yes	6 / 4	10%	11%	7%	13	13%	White Polymeric	0.7
XB110L	17	110	<0.3	100	2-18W fluor/4	Yes	Yes	6	10%	11%	7%	13	13%	White Polymeric	0.9
XB110HL	17	110	<0.3	100	2-18W fluor/4	Yes	Yes	6	10%	11%	7%	13%	14	White Polymeric	0.9
ZB80L	17	80	<0.3	75	2-18W fluor/4	Yes	Yes	6 / 4	10%	11%	7%	13	13%	White Polymeric	0.8
ZB80ML	17	80	<0.3	75	2-18W fluor/4	Yes	Yes	6 / 4	10%	11%	7%	13%	14	White Polymeric	0.8
ZB110L	17	110	<0.3	100	2-18W fluor/4	Yes	Yes	6	10%	11%	7%	13	13%	White Polymeric	0.9
ZB110HL	17	110	<0.3	100	2-18W fluor/4	Yes	Yes	6	10%	11%	7%	13%	14	White Polymeric	0.9
ZB110ML	17	110	<0.3	100	2-18W fluor/4	Yes	Yes	6	10%	11%	7%	13%	14	White Polymeric	0.9

In-Line Ventilators

Model	Page	CFM	0.2" Ps Sones	Housing Dimensions			Amps	Duct Size
				L"	W"	H"		
MP100	40	110	1.0	11	10%	9%	0.5	4 - 4" Rd Inlets, 6" Rd Outlet
MP140	40	150	1.5	11	10%	9%	0.8	4 - 4" Rd Inlets, 6" Rd Outlet
MP200	40	210	2.0	11	10%	9%	1.3	4 - 4" Rd Inlets, 6" Rd Outlet
MP280	40	290	3.0	15%	14%	14%	2.5	4 - 4" Rd Inlets, 6" Rd Outlet
SP100	41	110	1.0	11	10%	9%	0.5	6" Rd Inlet and Outlet
SP140	41	150	1.5	11	10%	9%	0.8	6" Rd Inlet and Outlet
SP200	41	210	2.0	11	10%	9%	1.3	6" Rd Inlet and Outlet