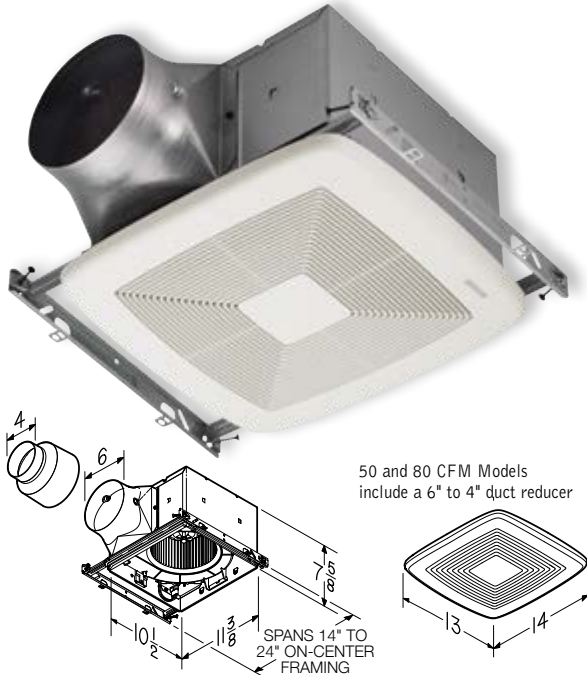


ULTRA™ Series Fans and Fan/Lights

Broan ULTRA™ Series Fans and Fan/Lights. Built for easy installation in either new construction or retrofit applications, the ULTRA™ Series makes it simple to ventilate any room in the house. In today's tightly built homes, unhealthy pollutants and excess humidity stay trapped inside unless they are mechanically vented away. Exclusive ULTRA Smart™ Control Technology enables fans to maintain their powerful operation—even at high static pressures—and provide required air movement levels for whole-house ventilation, all while meeting spot ventilation needs on demand. Continuous CFM levels can be precisely adjusted to meet the specific needs of each home.

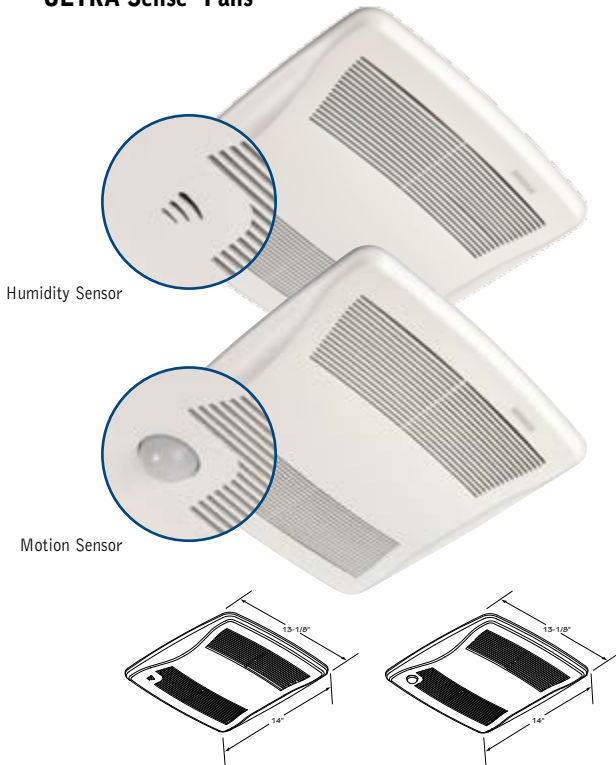
ULTRA™ Series Fans



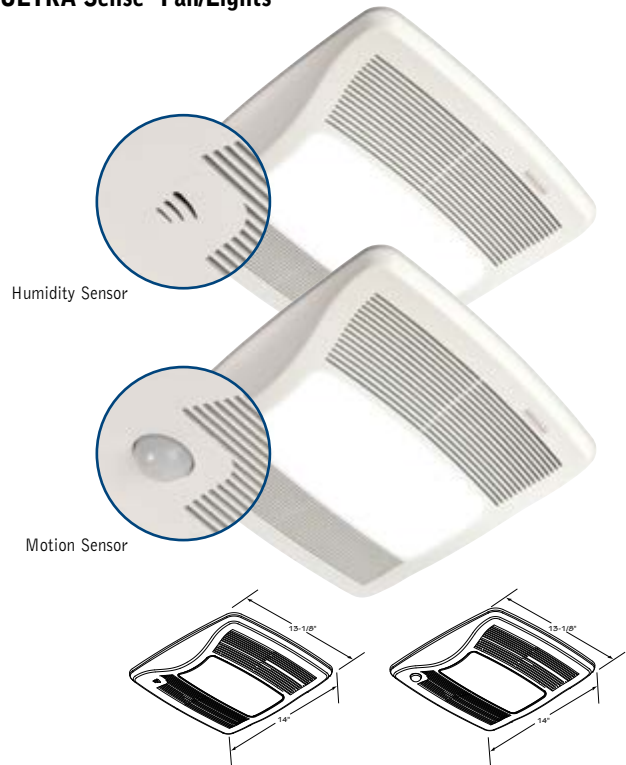
ULTRA™ Series Fan/Lights



ULTRA Sense™ Fans



ULTRA Sense™ Fan/Lights



ULTRA™ Series Fan and Fan/Light Features

- HVI certified at <0.3 Sones, ULTRA Silent™ Sound Technology provides the quietest sound rating obtainable
- 50, 80 or 110 CFM
- Intermittent and continuous ventilation
- ULTRA Smart™ Control Technology monitors performance and adjusts motor speed to ensure rated air movement
- Energy Star® qualified with ULTRA Green™ DC Motor Technology
- ULTRA Quick™ Installation Technology saves time with the fastest, easiest, most universal installation
- XB and ZB models feature 6" ducting—50 and 80 CFM models include an optional 6" to 4" duct reducer
- Bright, energy efficient 36-watt fluorescent lighting
- UL Listed for use over bathtub or shower when connected to a GFCI protected branch circuit
- Type IC
- Fits 2" x 8" ceiling construction
- Optional RDFI Premium Radiation Damper Kit available for models ZB110, ZB80, XB110, XB80 & XB50

Model	CFM	Sones	Light/ Night Light	Humidity Sensing	Motion Sensing	Ducting	ENERGY STAR®
Single-speed Fans							
XB50	50	<0.3	—	—	—	6"	Yes
	50	<0.3	—	—	—	6" to 4" reducer	
XB80	80	<0.3	—	—	—	6"	Yes
	80	0.3	—	—	—	6" to 4" reducer	
XB110	110	<0.3	—	—	—	6"	Yes
XB110H	110	<0.3	—	Yes	—	6"	Yes
Single-speed Fan/Lights							
XB50L	50	<0.3	2-18W GU24 / 4W	—	—	6"	Yes
	50	<0.3					
XB80L	80	<0.3	2-18W GU24 / 4W	—	—	6"	Yes
	80	0.3					
XB110L	110	<0.3	2-18W GU24 / 4W	—	—	6"	Yes
XB110HL	110	<0.3	2-18W GU24 / 4W	Yes	—	6"	Yes
Multi-speed Fans							
ZB80	80	<0.3	—	—	—	6"	Yes
	80	0.3					
ZB80M	80	<0.3	—	—	Yes	6"	Yes
	80	0.3					
ZB110	110	<0.3	—	—	—	6"	Yes
ZB110H	110	<0.3	—	Yes	—	6"	Yes
ZB110M	110	<0.3	—	—	Yes	6"	Yes
Multi-speed Fan/Lights							
ZB80L	80	<0.3	2-18W GU24 / 4W	—	—	6"	Yes
	80	0.3					
ZB80ML	80	<0.3	2-18W GU24 / 4W	—	Yes	6"	Yes
	80	0.3					
ZB110L	110	<0.3	2-18W GU24 / 4W	—	—	6"	Yes
ZB110HL	110	<0.3	2-18W GU24 / 4W	Yes	—	6"	Yes
ZB110ML	110	<0.3	2-18W GU24 / 4W	—	Yes	6"	Yes



ENERGY STAR® fans use 65% less energy, on average, than standard models and may qualify for local utility rebates.
▲ See page 54 for 6" ducting (DT6W) product specifications.



¹Bulb included

RDF1 Premium Radiation Damper

When the air temperature passing through the damper exceeds 165°F the fusible link melts, triggering the thermal fabric to automatically close across the damper. Airflow is interrupted by a flame and heat barrier, preventing the rapid spread of fire to other areas.

- Galvanized steel frame
- High temperature, non-asbestos, reinforced fiber thermal fabric
- Stainless steel closure springs
- 165°F fusible link
- Use the same grille provided with the ULTRA™ Series fan
- For use with models ZB110, ZB80, XB110, XB80 and XB50

Also works with LoProfile fan LP80.



Wall Control Selection Guide

		57W 57V	59W 59V	61W 61V	62W 62V	63W 63V	64W 64V	65W 65V	66W 66V	67W 67V	68W 68V	69W	69WL 69VL	70TW	71V	72W 72V	73	77DW 77DV	78W 78V	269WL 269VL	685WL 685VL	DH 100W	T24H	
Utility Fans	12C		•	•			•					•	•	•	•				•			•	•	
	502	•	•	•			•					•	•	•	•	•			•			•	•	
	503	•	•	•			•					•	•	•	•	•			•			•	•	
	504	•	•	•			•					•	•	•	•	•			•			•	•	
	505	•	•	•			•					•	•	•	•	•			•			•	•	
	506 & 507	chain operated																						
	508	•	•	•			•					•	•	•	•	•			•			•	•	
	509	•	•	•								•	•	•		•			•			•	•	
	509S ¹		•	•			•							•	•				•			•	•	
	510 ²		•	•			•							•	•				•			•	•	
	511 ²													•					•					
	512 & 512M	•	•	•								•	•	•	•	•			•			•	•	
	673		•	•			•					•	•	•	•				•			•	•	
Ventilation Fans	670	•	•	•			•				•	•	•	•	•			•			•	•		
	671	•	•	•			•				•	•	•	•	•			•			•	•		
	676	•	•	•			•				•	•	•	•	•			•			•	•		
	682	•	•	•			•				•	•	•	•	•			•			•	•		
	684	•	•	•			•				•	•	•	•	•			•			•	•		
	688	•	•	•			•				•	•	•	•	•			•			•	•		
	689	•	•	•			•				•	•	•	•	•			•			•	•		
	690	•	•	•			•				•	•	•	•	•			•			•	•		
	770	•	•	•			•				•	•	•	•	•			•			•	•		
	784	•	•	•			•				•	•	•	•	•			•			•	•		
	HD50	•	•	•			•	•	•	•		•	•	•	•	•			•			•	•	
	HD80	•	•	•			•				•	•	•	•	•			•			•	•		
	LP80	•	•	•			•				•	•	•	•	•			•			•	•		
	QT Fans	•	•	•		•	•				•	•	•	•	•	•			•	•		•	•	
	QTXE100S										•	•	•											
	QTXE110S										•	•	•											
	XB50											•	•							•				
	XB80											•	•							•				
	XB110											•	•							•				
	XB110H										•	•	•							•				
ZB80										•									•	•				
ZB80M										•	•	•							•					
ZB110										•									•	•				
ZB110H										•	•	•							•					
ZB110M										•	•	•							•					
Ventilation Fan/Lights	657	•	•	•		•	•				•			•	•	•						•	•	
	678	•	•	•		•	•				•			•	•	•						•	•	
	679	•	•	•		•	•				•			•	•	•						•	•	
	680	•	•	•		•	•				•			•	•	•						•	•	
	696	•	•	•		•	•				•			•	•	•						•	•	
	741SN 741WH	•	•	•		•	•				•			•	•	•							•	•
	744					•					•			•									•	
	744FL					•					•			•									•	
	744LED					•					•			•									•	
	744SFL					•		•	•	•	•			•									•	
	750	•	•	•	•		•	•	•	•	•			•	•	•				•	•	•	•	
	751	•	•	•		•	•				•			•	•	•				•		•	•	
	754RB, 754SN	•	•	•		•	•				•			•	•	•				•		•	•	
	757SN	•	•	•		•	•				•			•	•	•				•		•	•	

¹Built-in on/off switch. ²Built-in on/off variable switch.

Specifications

Fans

Model	Page	CFM	Sones, HVI-certified	Baths up to () Sq Ft	ENERGY STAR®	Duct Size"	Housing Dims			Grille Dims		Grille finish	Amps
							L"	W"	H"	L"	W"		
80RDF**	30	80	2.5	75	—	4	8	8¼	5¼	10¼	10¼	White Acrylic Metal	0.6
110RDF**	30	110	4.0	105	—	4	8	8¼	5¼	10¼	10¼	White Acrylic Metal	0.6
670	29	50	3.5	45	—	3	7¼	7½	3%	9	9¼	White Polymeric	0.8
671	29	70	6.0	65	—	3	7¼	7½	3%	9	9¼	White Polymeric	1.2
676	29	110	4.0	100	—	4	8	8¼	5%	10%	11%	White Polymeric	1.3
682	31	—	—	—	—	Duct-free	7%	7%	3%	8%	8%	White Polymeric	1.0
684	29	80	2.5	75	—	4	8	8¼	5%	10%	11%	White Polymeric	0.5
688	29	50	4.0	45	—	3	7¼	7½	3%	9	9¼	White Polymeric	0.9
689	29	60	5.5	55	—	3	7¼	7½	3%	9	9¼	White Polymeric	1.5
690*	31	60	3.0	55	—	—	—	—	—	9%	11%	White Polymeric	1.5
770	28	50	1.5	45	Yes	4	8	8¼	5%	10%	11%	White Polymeric	0.2
784	28	80	2.0	75	Yes	4	8	8¼	5%	10%	11%	White Polymeric	0.5
HD50	30	50	1.5	45	Yes	4	8	8¼	5%	10%	10%	White Painted Metal	0.4
HD50RDF**	30	50	1.5	45	Yes	4	8	8¼	5¼	10¼	10¼	White Acrylic Metal	0.4
HD80	30	80	2.5	75	—	4	8	8¼	5%	10%	10%	White Painted Metal	0.6
HD80RDF**	30	80	2.5	75	—	4	8	8¼	5¼	10¼	10¼	White Acrylic Metal	0.6
LP80	28	80	1.1	75	Yes	4 / 3	11%	10%	4	13	14	White Polymeric	0.3
SSQTXE080	24	80	—	—	Yes	—	11%	10%	7¼	—	—	—	—
SSQTXE110	24	110	—	—	Yes	—	11%	10%	7¼	—	—	—	—
QTXE050	20	50	<0.3	45	Yes	6	11%	10½	7%	13	14	White Polymeric	0.3
QTXE080	20	80	0.3	75	Yes	6	11%	10½	7%	13	14	White Polymeric	0.4
QTXE110	20	110	0.7	100	Yes	6	11%	10½	7%	13	14	White Polymeric	0.3
QTXE110S	22	110	0.7	100	Yes	6	11%	10½	7%	12%	13¾	White Polymeric	0.3
QTXE150	20	150	1.4	140	Yes	6	11%	10½	7%	13	14	White Polymeric	0.5
QTRE100S	22	100	1.5	90	Yes	4	11%	10½	7%	12%	13¾	White Polymeric	0.3
QTRE080	20	80	0.8	75	Yes	4	11%	10%	7%	13	14	White Polymeric	0.4
QTRE080C2S	20	80/40	0.8/<0.3	75	Yes	4	11%	10%	7%	13	14	White Polymeric	0.3
QTRE080R	23	80	0.8	75	Yes	4	11%	10%	7%	13	14	White Polymeric	0.3
QTRE110	20	110	1.3	100	Yes	4	11%	10%	7%	13	14	White Polymeric	0.3
QTR080	20	80	1.0	75	—	4	11%	10%	7%	13	14	White Polymeric	0.7
QTR110	20	110	1.5	100	—	4	11%	10%	7%	13	14	White Polymeric	0.9
XB50	17	50	<0.3	45	Yes	6 / 4	10%	11%	7%	13	14	White Polymeric	0.1
XB80	17	80	<0.3	75	Yes	6 / 4	10%	11%	7%	13	14	White Polymeric	0.1
XB110	17	110	<0.3	100	Yes	6	10%	11%	7%	13	14	White Polymeric	0.2
XB110H	17	110	<0.3	100	Yes	6	10%	11%	7%	13%	14	White Polymeric	0.2
ZB80	17	80	<0.3	75	Yes	6 / 4	10%	11%	7%	13	14	White Polymeric	0.1
ZB80M	17	80	<0.3	75	Yes	6 / 4	10%	11%	7%	13%	14	White Polymeric	0.1
ZB110	17	110	<0.3	100	Yes	6	10%	11%	7%	13%	14	White Polymeric	0.2
ZB110H	17	110	<0.3	100	Yes	6	10%	11%	7%	13%	14	White Polymeric	0.2
ZB110M	17	110	<0.3	100	Yes	6	10%	11%	7%	13%	14	White Polymeric	0.2

Radiation Dampers can be found on page 30. *Replacement grille and motor kit. **Model RDA fan housing only sold separately for radiation dampers/fans.

Utility Fans

Model	Page	CFM	Sones	Housing Dimensions			Grille Dimensions		Amps	Duct Size
				L"	W"	H"	L"	W"		
12C	39	360	8.0	—	11½ Sq	—	13½ Sq	1.7	Direct Discharge	
502	38	270	8.0	16%	13%	3%	13½ Sq	1.7	3¼" x 10"	
503	38	160	5.0	14	12	3%	11½ Sq	1.5	3¼" x 10"	
504	39	350	6.5	—	10¼ Rd	7	13½ Sq	1.7	10"	
505	39	180	6.5	—	8¼ Rd	7	11½ Sq	1.5	8"	
506	38	470	8.0	—	10¼ Rd	—	13½ Sq	1.7	Direct Discharge	
507	38	250	7.0	—	8¼ Rd	—	11½ Sq	1.5	Direct Discharge	
508	39	270	6.0	—	10¼ Rd	—	13½ Sq	1.7	Direct Discharge	
509	39	180	6.5	—	8¼ Rd	—	13½ Sq	1.5	Direct Discharge	
509S	39	180	6.5	—	8¼ Rd	—	13½ Sq	1.5	Direct Discharge	
510	38	380	6.5	—	11½ Sq	—	13½ Sq	1.7	Room to room wall fan	
511	38	180	4.5	—	11½ Sq	—	13½ Sq	0.9	Room to room wall fan	
512	39	90	3.5	—	6 Rd	—	8 Dia	0.7	Room to room wall fan	
512M	39	70	3.5	—	6 Rd	—	8 Dia	0.7	Direct Discharge	
673	39	60	4.5	—	6¼ Rd	5¼	8 Dia	1.0	6"	