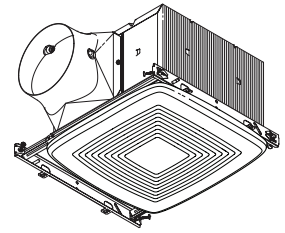


MODEL ZB80 VENTILATION FAN



FEATURES

UltraGreen™ Energy Saving DC Motor

- DC motor for efficiency well beyond ENERGY STAR® requirements.
- Multi-speed capability ideal for meeting ASHRAE 62.2, LEED and ENERGY STAR® for Homes requirements. Can be used to comply with CA Title 24, as well as local/spot ventilation needs.

UltraSilent™ Sound Technology

- HVI certified, best-achievable <0.3 Sone level provides nearly silent operation for a relaxing environment.
- State-of-the-art blower and duct outlet design smooths airflow.
- High tech DC motor designed for nearly silent operation.

UltraSmart™ Control Technology

- Powerful operation maintained over a wide range of real-world installations (CFM ratings maintained through at least 0.25" static pressure).
- Infinitely adjustable low cfm setting allows precise adjustment to prevent over-ventilating and maximize efficiency.
- Adjustable time delay sets how long fan will run on high speed before returning to a continuous lower speed.

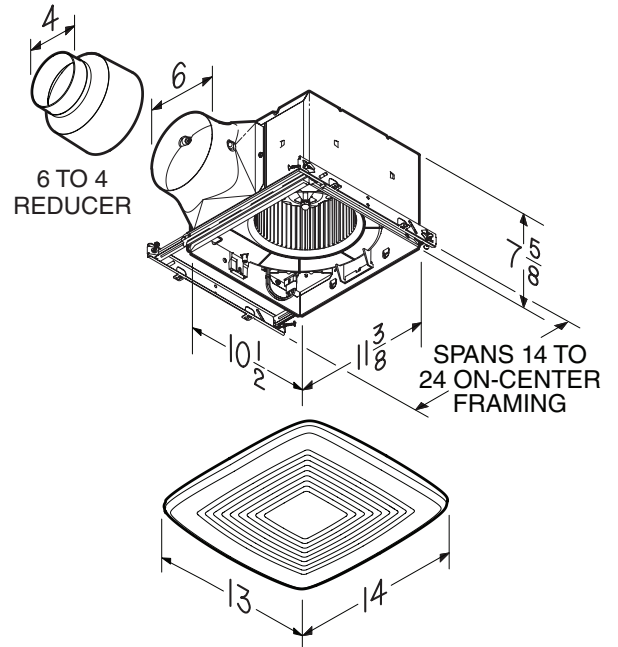
UltraQuick™ Installation Technology

- Unique telescoping mounting frame fits through retrofit drywall opening to allow easy installation from the room side. No attic access needed!
- Captive screws allow for easy new construction installation.
- Mounting frame positioning tabs provide easy vertical positioning for new construction.
- Easy to insert and remove snap-in housing. No screws required!
- Easy to insert and remove snap-in blower.
- Inside or outside duct connector and knockout plate mounting provides flexibility for new construction or retrofit.

U.L. Listed for use over bathtubs and showers when connected to a GFCI protected branch circuit (ceiling mount only).

3-year warranty.

DIMENSIONS (Inches)



Broan-NuTone LLC Hartford, Wisconsin www.broan.com 800-558-1711

| REFERENCE | QTY. | REMARKS | Project |
|-----------|------|---------|--|
| | | | Location |
| | | | Architect |
| | | | Engineer |
| | | | Contractor |
| | | | Submitted by Date |



PERFORMANCE SPECIFICATIONS MODEL ZB80 VENTILATION FAN

HVI PERFORMANCE

| Airflow Rate Setting (CFM) | 6" Duct | | | | | 4" Duct | | | | |
|----------------------------|----------------------------------|---------------|---------------|---------------------|---------------|----------------------------------|---------------|---------------|---------------------|---------------|
| | 0.1 Ps - Static Pressure (inH2O) | | | | 0.25 Ps | 0.1 Ps - Static Pressure (inH2O) | | | | 0.25 Ps |
| | Airflow (CFM) | Sound (Sones) | Power (Watts) | Efficacy (CFM/Watt) | Airflow (CFM) | Airflow (CFM) | Sound (Sones) | Power (Watts) | Efficacy (CFM/Watt) | Airflow (CFM) |
| 80 | 80 | < 0.3 | 5.8 | 13.7 | 79 | 80 | 0.3 | 7.6 | 10.5 | 80 |
| 70 | 70 | < 0.3 | 5.1 | 13.7 | 71 | 70 | < 0.3 | 6.5 | 10.7 | 70 |
| 60 | 60 | < 0.3 | 4.4 | 13.6 | 61 | 60 | < 0.3 | 5.5 | 10.9 | 60 |
| 50 | 50 | < 0.3 | 4.0 | 12.7 | 49 | 50 | < 0.3 | 5.1 | 10.3 | 47 |
| 40 | 40 | < 0.3 | 3.7 | 12.1 | 36 | 40 | < 0.3 | 4.3 | 10.9 | 34 |
| 30 | 30 | < 0.3 | 3.4 | 11.4 | 23 | 30 | < 0.3 | 3.9 | 10.2 | 22 |

ELECTRICAL & WEIGHT

| Volts | Hz | Amps | Shipping Weight (lbs.) |
|-------|----|------|------------------------|
| 120 | 60 | 0.1 | 12.5 |



HVI-2100 CERTIFIED RATINGS comply with new testing technologies and procedures prescribed by the Home Ventilating Institute, for off-the-shelf products, as they are available to consumers. Product performance is rated at 0.1 in. static pressure, based on tests conducted in a state-of-the-art test laboratory. Sones are a measure of humanly-perceived loudness, based on laboratory measurements.

FAN CAPABILITY

