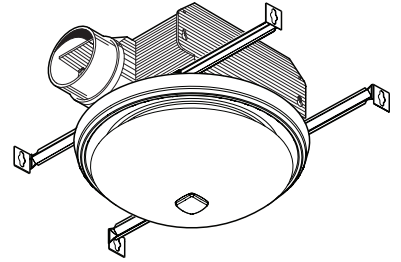


MODEL 778WH VENTILATION FAN WITH LIGHT



FEATURES

LIGHT FIXTURE:

- Corrosion resistant white finish
- White opal glass shade
- Close mount design
- Uses two 13W maximum, GU24 type, fluorescent bulbs. Bulbs included.
- Vent openings in fixture base for exhaust fan
- Light fixture assembly is plug-in and removable

BLOWER:

- Plug-in permanently lubricated motor
- Polymeric blower wheel

HOUSING:

- Rugged, 26-gage galvanized steel construction
- Sturdy key-holed mounting brackets for quick, accurate installation
- Adjustable mounting brackets span up to 24"
- Tapered, polymeric duct fitting with built-in backdraft damper for easy, positive duct connection and no metallic clatter

NOTE: For installation in flat ceilings only.

U.L. Listed for use in insulated ceilings (Type I.C.)

ENERGY STAR® qualified

TYPICAL SPECIFICATION

Ventilation Fan with Light unit shall be Broan Model 778WH.

Unit shall have galvanized steel housing with dual integral mounting brackets and adjustable mounting brackets that span up to 24". It shall be ducted to a roof or wall cap.

Blower assembly shall be removable and have a permanently lubricated motor.

Light fixture assembly shall be plug-in, removable and include a white opal glass shade and a corrosion-resistant base with white finish.

Lamps shall be two 13W maximum, GU24 type, fluorescent bulbs and included with unit.

Air delivery to be no less than 80 cfm and sound level no greater than 2.0 sones. Air and sound ratings shall be certified by HVI.

Unit shall be U.L. Listed for use in insulated ceilings (Type I.C.)

Unit shall be ENERGY STAR® qualified.

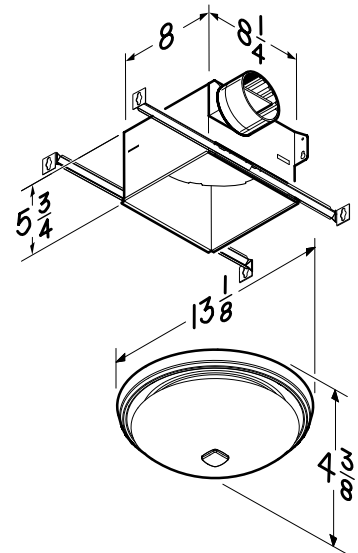
SPECIFICATIONS

MODEL	VOLTS	AMPS
778WH	120	0.5

STATIC PRESSURE	CFM	SONES	FAN WATTS	DUCT
0.10	80	2.0	25.4	4" Round
0.25	68			



HVI-2100 CERTIFIED RATINGS comply with new testing technologies and procedures prescribed by the Home Ventilating Institute, for off-the-shelf products, as they are available to consumers. Product performance is rated at 0.1 in. static pressure, based on tests conducted in a state-of-the-art test laboratory. Sones are a measure of humanly-perceived loudness, based on laboratory measurements.



Broan-NuTone LLC Hartford, Wisconsin www.broan.com 800-558-1711
Broan-NuTone Canada Mississauga, Ontario www.broan.ca 877-896-1119

REFERENCE	QTY.	REMARKS	Project
			Location
			Architect
			Engineer
			Contractor
			Submitted by Date