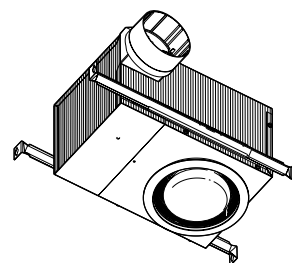


### MODEL 744 RECESSED FAN / LIGHT



**Add lighting and ventilation to your room - with the look of an ordinary recessed light.**

#### FEATURES

##### TRIM RING BAFFLE:

- Polymeric construction with matte white finish
- Recessed styling, mounts flush with finished ceiling
- Accepts any one of these bulbs (bulb not included): 75W, R30, BR30, PAR30L, or PAR30LN

##### BLOWER:

- Plug-in, permanently lubricated, motor
- Dynamically balanced centrifugal blower wheel for quiet, efficient performance
- Low RPM for quiet operation

##### HOUSING:

- Rugged, 26 gage, galvanized steel construction
- 4" round, polymeric duct connector with 2" tapered sleeve and no metallic clatter
- Adjustable mounting brackets span up to 24"

**CONTROLS:** Designed for use with this product (purchase separately)

- Model 59V (Ivory) / 59W (White) - 60-minute time control
- Model 61V (Ivory) / 61W (White) - 15-minute time control
- Model 69VL (Ivory) / 69WL (White) - One rocker switch with "on" indicator light
- Model 269VL (Ivory) / 269WL (White) - One rocker switch with "on" indicator light and one non-lit rocker switch
- Model 68V (Ivory) / 68W (White) - Two rocker switches - fits in single-gang box

U.L. Listed for use over bathtubs and showers when connected to a GFCI protected branch circuit and used with a PAR30L or PAR30LN bulb.

U.L. Listed for use in insulated ceilings (TYPE I.C.)

#### SPECIFICATIONS

MODEL	VOLTS	AMPS*	WATTS	STATIC PRESSURE	CFM	SONES	FAN WATTS	DUCT
744	120	1.2	125**	0.10 0.25	70 56	1.5	28.2	4" Round

\* Total Connected Load

\*\* BR30-size bulb.

Broan-NuTone LLC Hartford, Wisconsin www.broan.com 800-558-1711

#### TYPICAL SPECIFICATION

Fan / Light shall be Broan Model 744.

Fan / Light shall have corrosion resistant steel housing and adjustable mounting brackets.

Motor assembly to be removable and permanently lubricated.

Non-metallic damper/duct connector to be included.

Fan and Light to operate separately (or in combination).

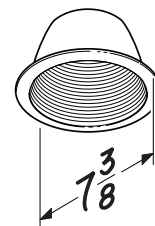
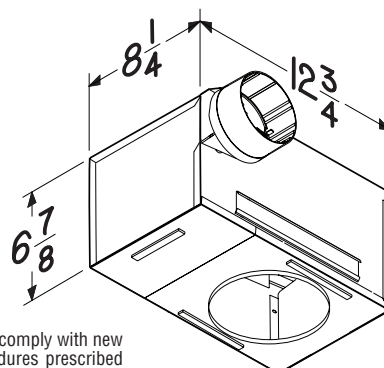
Fan / Light must use an R30 / BR30 Max. 75W bulb (PAR30L or PAR30LN Max. 75W bulb for use over bath tub and shower) - recessed into ceiling.

Air delivery shall be no less than 70 CFM and sound level no greater than 1.5 Sones. All air and sound ratings shall be certified by HVI.

Fan / Light must be U.L. and cU.L. listed for use in insulated ceilings (Type I.C.) and for use over bathtubs and showers when connected to a GFCI protected branch circuit and used with a PAR30L or PAR30LN bulb.



HVI-2100 CERTIFIED RATINGS comply with new testing technologies and procedures prescribed by the Home Ventilating Institute, for off-the-shelf products, as they are available to consumers. Product performance is rated at 0.1 in. static pressure, based on tests conducted in a state-of-the-art test laboratory. Sones are a measure of humanly-perceived loudness, based on laboratory measurements.



REFERENCE	QTY.	REMARKS	Project
			Location
			Architect
			Engineer
			Contractor
			Submitted by Date