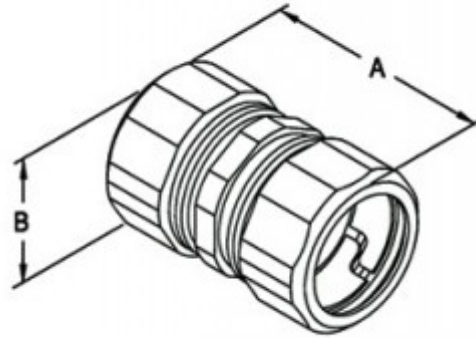


## 2" Malleable Iron Rigid Compression Coupling

Rigid compression type coupling used to join Rigid or IMC conduit together.

[Download Photo](#)[Download Drawing](#)

### Product details

<b>Catalog Number:</b>	3105
<b>UPC Number:</b>	781747031051
<b>Primary Materials:</b>	Malleable Iron
<b>Finish:</b>	Zinc Plated
<b>Trade Size:</b>	2"
<b>Unit Quantity:</b>	1
<b>Standard Package Quantity:</b>	5

### Dimensions

<b>Trade Size:</b>	2"
<b>Dimensions A:</b>	3-1/16
<b>Dimensions B:</b>	15/16
<b>Dimensions C:</b>	3-5/16

### Certifications & Codes

**Federal Specification Number:** A-A-50553

**UL File Number:** E9391

**UNSPSC:** 39131707

**Nema Standard:** FB-1

**UL Standard:** UL-514B