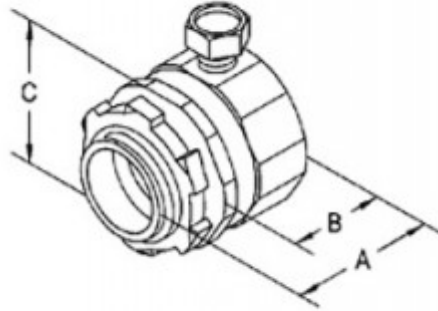


2" Malleable Iron Rigid Set Screw Connector

Rigid set screw type coupling used to join two unthreaded lengths of Rigid or IMC. Concrete-tight when taped.

[Download Photo](#)[Download Drawing](#)

Product details

Catalog Number:	3505
UPC Number:	781747035059
Primary Materials:	Malleable Iron
Finish:	Zinc Plated
Trade Size:	2"
Unit Quantity:	5
Standard Package Quantity:	30

Dimensions

Trade Size:	2"
Dimensions A:	2-7/16
Dimensions B:	5/8
Dimensions C:	5/8

Certifications & Codes

Federal Specification Number: A-A-50553

UL File Number: E9391

UNSPSC: 39121311

Nema Standard: FB-1

UL Standard: UL-514B