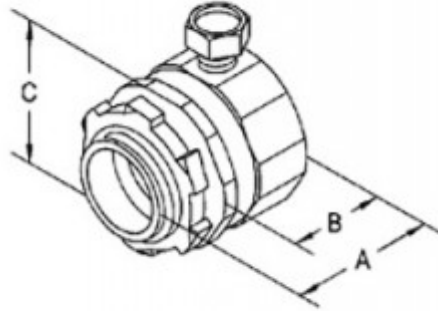


3/4" Malleable Iron Rigid Set Screw Connector

Rigid set screw type connector used to join Rigid or IMC conduit to a box or enclosure.

[Download Photo](#)[Download Drawing](#)

Product details

Catalog Number:	3501
UPC Number:	781747035011
Primary Materials:	Malleable Iron
Finish:	Zinc Plated
Trade Size:	3/4"
Unit Quantity:	25
Standard Package Quantity:	250

Dimensions

Trade Size:	3/4"
Dimensions A:	1-11/16
Dimensions B:	1/2
Dimensions C:	1-9/16

Certifications & Codes

Federal Specification Number: A-A-50553

UL File Number: E9391

UNSPSC: 39121311

Nema Standard: FB-1

UL Standard: UL-514B