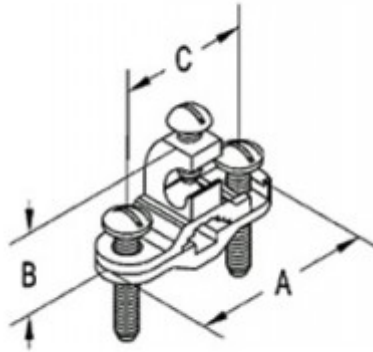


Rebar Ground Clamp - Direct Burial Type - Side Lay In

Integral lay-in lug style direct burial ground clamp for use with 1/2" thru 1" ground water pipe or 3/8" to 1" Rebar.

[Download Photo](#)[Download Drawing](#)

Product details

Catalog Number:	RB-16
UPC Number:	781747020161
Finish:	As Cast
Trade Size:	1/2" - 1"
Unit Quantity:	20
Standard Package Quantity:	200

Dimensions

Trade Size:	1/2" - 1"
Dimensions A:	2-1/4
Dimensions B:	1-3/16
Dimensions C:	1-5/8

Certifications & Codes

UL File Number: E20412

UNSPSC: 39121613

Nema Standard: FB-1

UL Standard: UL-467