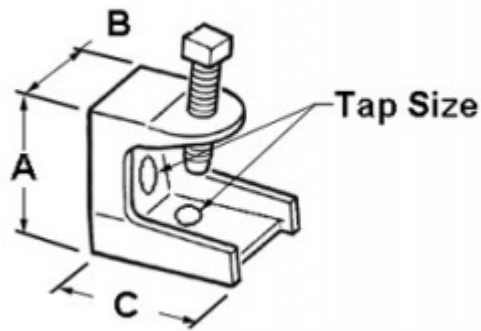


## Clamp, Beam, Insulator Support, Malleable Iron, Tap Size (UNC) 3/8-16, 300 lbs Max Load.

Single screw beam clamp insulator support with two threaded holes. UL listed.

[Download Photo](#)[Download Drawing](#)

### Product details

<b>Catalog Number:</b>	953
<b>UPC Number:</b>	781747009531
<b>Primary Materials:</b>	Malleable Iron
<b>Finish:</b>	Zinc electro-plate
<b>Trade Size:</b>	2"
<b>Standard Package Quantity:</b>	50

### Dimensions

<b>Trade Size:</b>	2"
<b>Dimensions A:</b>	1-3/4
<b>Dimensions B:</b>	1-7/8
<b>Dimensions C:</b>	1-5/16

### Certifications & Codes

**UL File Number:** E161206

**UNSPSC:** 31162905

**UL Standard:** UL-2239