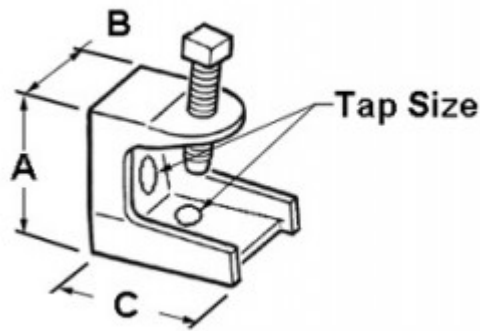


Clamp, Beam, Insulator Support, Malleable Iron, Tap Size (UNC) 1/4-20, 125 lbs Max Load.

Single screw beam clamp insulator support with two threaded holes. UL listed.

[Download Photo](#)[Download Drawing](#)

Product details

Catalog Number:	951
UPC Number:	781747009517
Primary Materials:	Malleable Iron
Finish:	Zinc electro-plate
Trade Size:	1"
Unit Quantity:	25
Standard Package Quantity:	100

Dimensions

Trade Size:	1"
Dimensions A:	1-3/8
Dimensions B:	1-3/8
Dimensions C:	1-3/16

Certifications & Codes

UL File Number: E161206

UNSPSC: 31162905

UL Standard: UL-2239