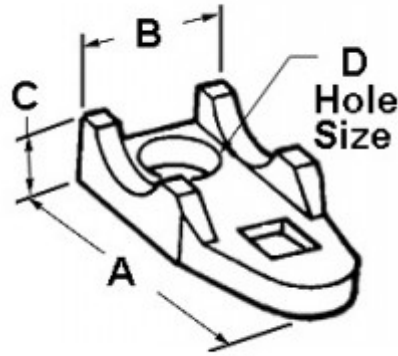


Clamp Back, Malleable Iron, Size 4 Inch

Provides space between conduit and mounting surface. For use with Malleable Iron or Aluminum straps.



[Download Photo](#)

[Download Drawing](#)

Product details

Catalog Number:	950
UPC Number:	781747009500
Primary Materials:	Malleable Iron
Finish:	Zinc electro-plate
Trade Size:	4"
Standard Package Quantity:	5

Dimensions

Trade Size:	4"
Dimensions A:	8-7/8
Dimensions B:	3-1/16
Dimensions C:	1-1/16
Dimensions D:	1/2

Certifications & Codes

UL File Number: E161206

UNSPSC: 31162906

UL Standard: UL-514B