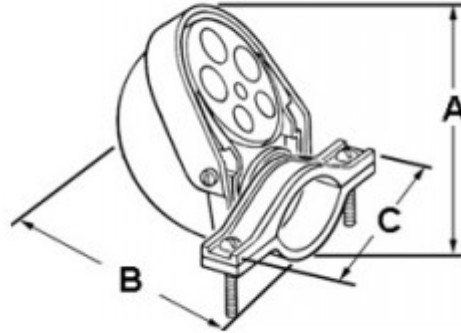


## Entrance Cap, Clamp-On, Aluminum, Size 4 Inch

Clamp type entrance cap for rigid conduit and IMC. 3 holes 1 3/4" dia.; 4 holes 1 1/8" dia. Listed for use with Rigid/IMC/EMT.

[Download Photo](#)[Download Drawing](#)

### Product details

<b>Catalog Number:</b>	1260
<b>UPC Number:</b>	781747012609
<b>Primary Materials:</b>	Aluminum
<b>Finish:</b>	Plain
<b>Trade Size:</b>	4"
<b>Standard Package Quantity:</b>	1

### Dimensions

<b>Trade Size:</b>	4"
<b>Dimensions A:</b>	12-1/2
<b>Dimensions B:</b>	9
<b>Dimensions C:</b>	6-1/2

### Certifications & Codes

**UL File Number:** E11259

**UNSPSC:** 39121311

**Nema Standard:** FB-1

**UL Standard:** UL-514B