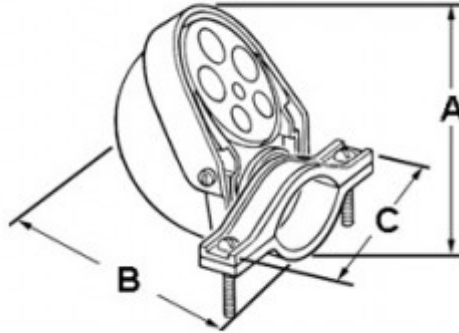


Entrance Cap, Clamp-On, Aluminum, Size 3 Inch

Clamp type entrance cap for rigid conduit and IMC. 3 holes 1 3/4" dia.; 4 holes 1 1/8" dia. Listed for use with Rigid/IMC/EMT.

[Download Photo](#)[Download Drawing](#)

Product details

| | |
|-----------------------------------|--------------|
| Catalog Number: | 1258 |
| UPC Number: | 781747012586 |
| Primary Materials: | Aluminum |
| Finish: | Plain |
| Trade Size: | 3" |
| Standard Package Quantity: | 1 |

Dimensions

| | |
|----------------------|--------|
| Trade Size: | 3" |
| Dimensions A: | 12-1/2 |
| Dimensions B: | 9 |
| Dimensions C: | 6-1/2 |

Certifications & Codes

UL File Number: E11259

UNSPSC: 39121311

Nema Standard: FB-1

UL Standard: UL-514B