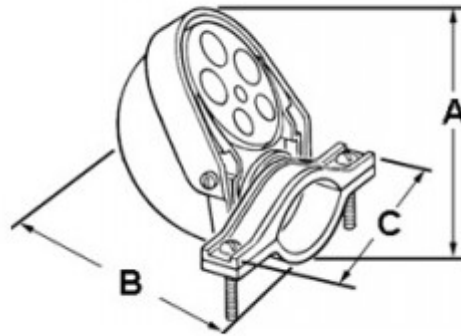


Entrance Cap, Clamp-On, Aluminum, Size 2-1/2 Inch

Clamp type entrance cap for rigid conduit and IMC. 1 hole 1" dia.; 3 holes 7/8" dia.; 3 holes 1 5/16" dia. Listed for use with Rigid/IMC/EMT.

[Download Photo](#)[Download Drawing](#)

Product details

Catalog Number:	1257
UPC Number:	781747012579
Primary Materials:	Aluminum
Finish:	Plain
Trade Size:	2-1/2"
Standard Package Quantity:	1

Dimensions

Trade Size:	2-1/2"
Dimensions A:	8-3/4
Dimensions B:	7-7/16
Dimensions C:	6-3/16

Certifications & Codes

UL File Number: E11259

UNSPSC: 39121311

Nema Standard: FB-1

UL Standard: UL-514B