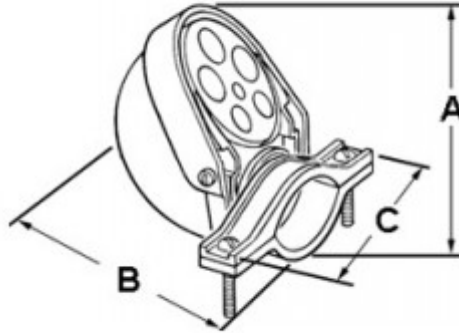


Entrance Cap, Clamp-On, Aluminum, Size 2 Inch

Clamp type entrance cap for rigid conduit and IMC. 2 hole 9/16" dia.; 2 holes 3/4" dia.; 3 holes 1" dia. Listed for use with Rigid/IMC/EMT.

[Download Photo](#)[Download Drawing](#)

Product details

Catalog Number:	1256
UPC Number:	781747012562
Primary Materials:	Aluminum
Finish:	Plain
Trade Size:	2"
Standard Package Quantity:	5

Dimensions

Trade Size:	2"
Dimensions A:	7
Dimensions B:	5-3/4
Dimensions C:	4-7/16

Certifications & Codes

UL File Number: E11259

UNSPSC: 39121311

Nema Standard: FB-1

UL Standard: UL-514B