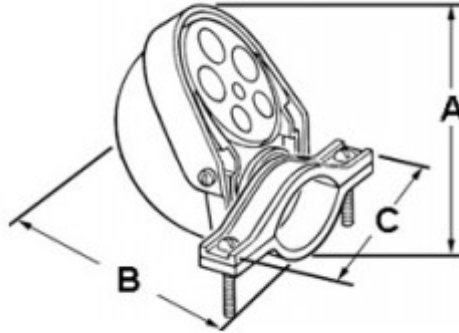


Entrance Cap, Clamp-On, Aluminum, Size 1 1/2 Inch

Clamp type entrance cap for rigid conduit and IMC. 1 hole 7/16" dia.; 2 holes 5/8" dia.; 3 holes 3/4" dia.

[Download Photo](#)[Download Drawing](#)

Product details

Catalog Number:	1255
UPC Number:	781747012555
Primary Materials:	Aluminum
Finish:	Plain
Trade Size:	1-1/2"
Standard Package Quantity:	5

Dimensions

Trade Size:	1-1/2"
Dimensions A:	5-1/4"
Dimensions B:	4-1/2"
Dimensions C:	3-5/16"

Certifications & Codes

UL File Number: E11259

UNSPSC: 39121311

Nema Standard: FB-1

UL Standard: UL-514B