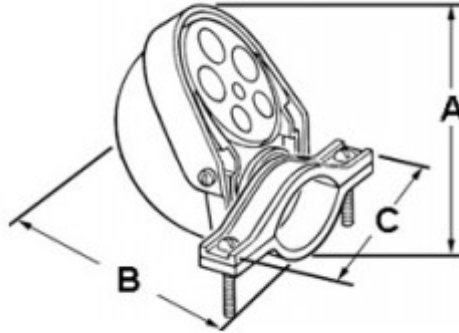


Entrance Cap, Clamp-On, Size 1-1/4 Inch

Clamp type entrance cap for rigid conduit and IMC. 2 holes 7/16" dia.; 3 holes 5/8" dia. Listed for use with Rigid/IMC/EMT.

[Download Photo](#)[Download Drawing](#)

Product details

| | |
|-----------------------------------|-------------------------------|
| Catalog Number: | 1254 |
| UPC Number: | 781747012548 |
| Primary Materials: | Aluminum |
| Finish: | Ball burnished, mirror smooth |
| Trade Size: | 1-1/4" |
| Standard Package Quantity: | 10 |

Dimensions

| | |
|----------------------|--------|
| Trade Size: | 1-1/4" |
| Dimensions A: | 4-5/16 |
| Dimensions B: | 3-1/4 |
| Dimensions C: | 2-5/8 |

Certifications & Codes

UL File Number: E11259

UNSPSC: 39121311

Nema Standard: FB-1

UL Standard: UL-514B