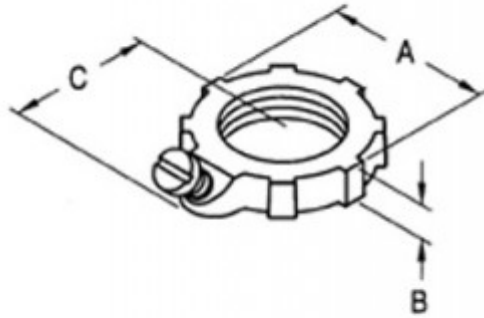


Locknut, Bonding, Steel, Size 3 Inch

Used in harsh vibration environments to fasten threaded conduit to unthreaded opening in a box or enclosure.

[Download Photo](#)[Download Drawing](#)

Product details

Catalog Number:	128-S
UPC Number:	781747201287
Primary Materials:	Steel
Finish:	Zinc electro-plate
Trade Size:	3"
Unit Quantity:	5
Standard Package Quantity:	25

Dimensions

Trade Size:	3"
Dimensions A:	4-1/8
Dimensions B:	5/16
Dimensions C:	2-3/8

Certifications & Codes

UL File Number: E20412

UNSPSC: 39121311

UL Standard: UL-514B