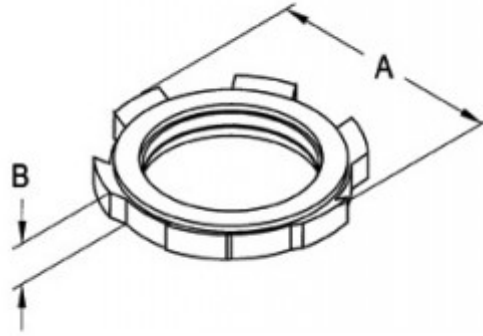


## Locknut, Sealing, Steel / PVC, Size 2 Inch

Steel locknut with PVC seal used to provide raintight seal when fastening threaded conduit to unthreaded opening in a box or enclosure.

[Download Photo](#)[Download Drawing](#)

### Product details

<b>Catalog Number:</b>	146
<b>UPC Number:</b>	781747001467
<b>Primary Materials:</b>	Steel
<b>Finish:</b>	Zinc electro-plate
<b>Trade Size:</b>	2"
<b>Unit Quantity:</b>	25
<b>Standard Package Quantity:</b>	100

### Dimensions

<b>Trade Size:</b>	2"
<b>Dimensions A:</b>	2-15/16
<b>Dimensions B:</b>	1/4

### Certifications & Codes

**UL File Number:** E9391**UNSPSC:** 39121311**Nema Standard:** FB-1**UL Standard:** UL-514B