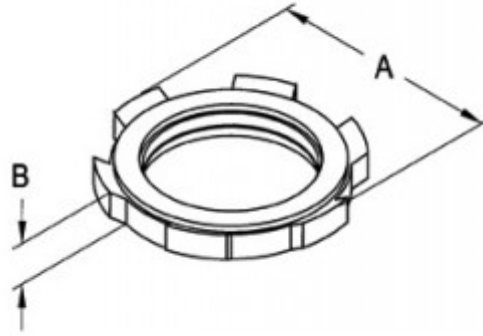


Locknut, Sealing, Steel / PVC, Size 1 Inch

Steel locknut with PVC seal used to provide raintight seal when fastening threaded conduit to unthreaded opening in a box or enclosure.

[Download Photo](#)[Download Drawing](#)

Product details

Catalog Number:	143
UPC Number:	781747001436
Primary Materials:	Steel
Finish:	Zinc electro-plate
Trade Size:	1"
Unit Quantity:	25
Standard Package Quantity:	100

Dimensions

Trade Size:	1"
Dimensions A:	1-13/16
Dimensions B:	3/16

Certifications & Codes

UL File Number: E9391**UNSPSC:** 39121311**Nema Standard:** FB-1**UL Standard:** UL-514B