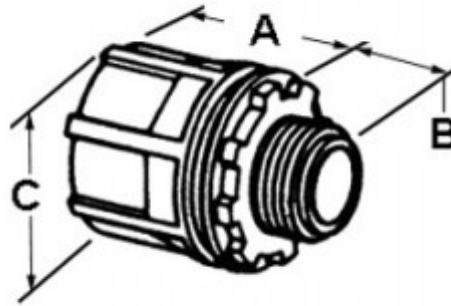


## Threaded Hub, Zinc Die Cast, Size 2 1/2 Inch

To secure threaded rigid service entrance conduit to box or enclosure. Insulated throat rated 105 degree C. UL listed Type 4 - Watertight. Suitable for Aluminum and Steel Rigid Conduit

[Download Photo](#)[Download Drawing](#)

### Product details

<b>Catalog Number:</b>	157-DC
<b>UPC Number:</b>	781747091574
<b>Primary Materials:</b>	Zinc Die Cast
<b>Finish:</b>	Ball burnished, mirror smooth
<b>Trade Size:</b>	2-1/2"
<b>Standard Package Quantity:</b>	10

### Dimensions

<b>Trade Size:</b>	2-1/2"
<b>Dimensions A:</b>	1-5/8
<b>Dimensions B:</b>	15/16
<b>Dimensions C:</b>	3-1/4

### Certifications & Codes

**Federal Specification Number:** A-A-50553**UL File Number:** E9391**UNSPSC:** 39121311**Nema Standard:** FB-1**UL Standard:** UL-514B**Country Of Manufacture:** USA