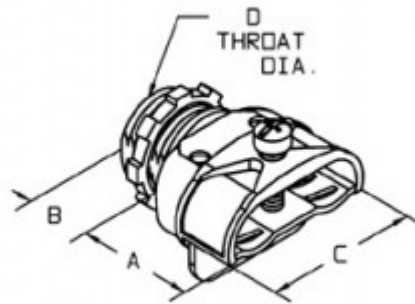


## Connector, Duplex, Zinc Die Cast. For AC/MC 3/8" FMC and Non-Metallic Cables.

For use with AC/MC/MCI-A 14/2 (.375" 0 min) to 10/3 (.625" 0 max) HCF/HCFMCI-A 3/8" FMC and 14/2 to 10/3 NM Cable


[Download Photo](#)
[Download Drawing](#)

### Product details

<b>Catalog Number:</b>	601-DC2
<b>UPC Number:</b>	781747156013
<b>Primary Materials:</b>	Zinc Die Cast
<b>Finish:</b>	Ball burnished, mirror smooth
<b>Trade Size:</b>	3/8"
<b>Unit Quantity:</b>	20
<b>Standard Package Quantity:</b>	200

### Dimensions

<b>Trade Size:</b>	3/8"
<b>Dimensions A:</b>	1-1/8
<b>Dimensions B:</b>	9/16
<b>Dimensions C:</b>	1-11/16
<b>Dimensions D:</b>	0.618

### Certifications & Codes

**Federal Specification Number:** A-A-50552

**UL File Number:** E20534

**CSA File Number:** LR39354

**UNSPSC:** 39121419

**Nema Standard:** FB-1

**UL Standard:** UL-514B

**Country Of Manufacture:** USA