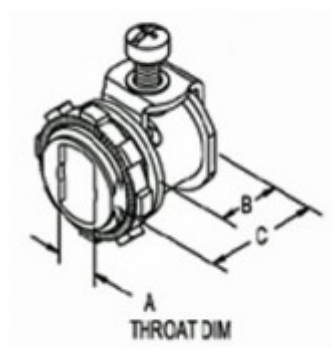


## Strap Connector, Single Screw, Zinc Die Cast, Trade Size 3/8 Inch

Recommended cable types to connect MC & AC or 3/8 Inch flexible metal conduit to box or enclosure. 14/2 (.38" 0 min) to 10/3 (.61" 0 max)  
AC/MC/MCI-A/HCF/HCFMCIA

[Download Photo](#)[Download Drawing](#)

### Product details

<b>Catalog Number:</b>	570-DC2
<b>UPC Number:</b>	781747155702
<b>Primary Materials:</b>	Zinc Die Cast
<b>Trade Size:</b>	3/8"
<b>Unit Quantity:</b>	50
<b>Standard Package Quantity:</b>	500

### Dimensions

<b>Trade Size:</b>	3/8"
<b>Dimensions A:</b>	3/8
<b>Dimensions B:</b>	5/8
<b>Dimensions C:</b>	1

### Certifications & Codes

**Federal Specification Number:** A-A-50552

**UL File Number:** E20534

**CSA File Number:** LR39354

**UNSPSC:** 39121419

**UL Standard:** UL-514B

**Country Of Manufacture:** USA