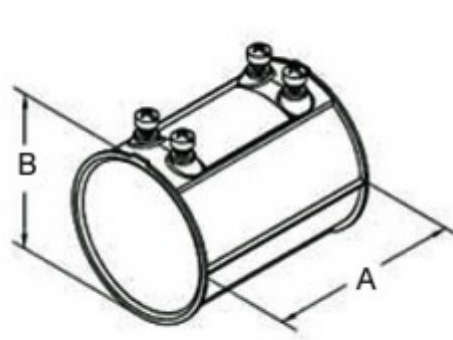


## Coupling, Set Screw, Zinc Die Cast, Size 4 Inch

Used to join two lengths of EMT. 1/2" through 1 1/4" Concrete-tight, 1 1/2" thru 4" concrete-tight when taped. 2" thru 4" suitable for use with aluminum or steel EMT.

[Download Photo](#)[Download Drawing](#)

### Product details

<b>Catalog Number:</b>	249-DC
<b>UPC Number:</b>	781747092496
<b>Primary Materials:</b>	Zinc Die Cast
<b>Finish:</b>	Ball burnished, mirror smooth
<b>Trade Size:</b>	4"
<b>Standard Package Quantity:</b>	6

### Dimensions

<b>Trade Size:</b>	4"
<b>Dimensions A:</b>	3.5
<b>Dimensions B:</b>	5.75

### Certifications & Codes

**Federal Specification Number:** A-A-50553**UL File Number:** E24001**CSA File Number:** LR39354**UNSPSC:** 39131707**Nema Standard:** FB-1**UL Standard:** UL-514B**Country Of Manufacture:** USA