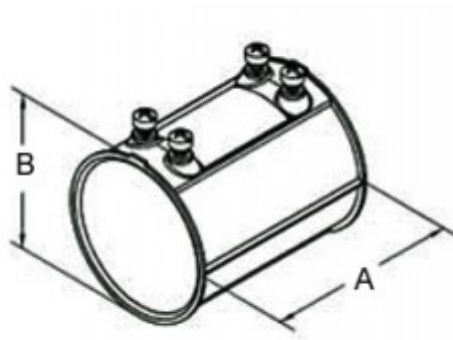


Coupling, Set Screw, Zinc Die Cast, Size 3 1/2 Inch

Used to join two lengths of EMT. 1/2" through 1 1/4" Concrete-tight, 1 1/2" thru 4" concrete-tight when taped. 2" thru 4" suitable for use with aluminum or steel EMT.

[Download Photo](#)[Download Drawing](#)

Product details

Catalog Number:	248-DC
UPC Number:	781747092489
Primary Materials:	Zinc Die Cast
Finish:	Ball burnished, mirror smooth
Trade Size:	3-1/2"
Standard Package Quantity:	6

Dimensions

Trade Size:	3-1/2"
Dimensions A:	3.25
Dimensions B:	5

Certifications & Codes

Federal Specification Number: A-A-50553**UL File Number:** E24001**CSA File Number:** LR39354**UNSPSC:** 39131707**Nema Standard:** FB-1**UL Standard:** UL-514B**Country Of Manufacture:** USA