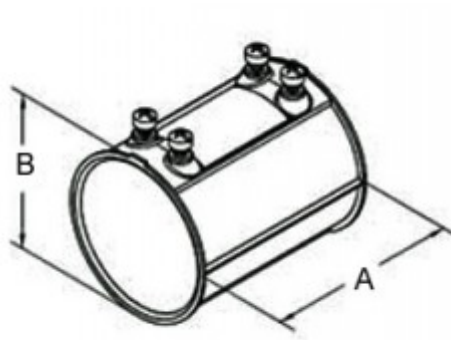


## Coupling, Set Screw, Zinc Die Cast, Size 3 Inch

Used to join two lengths of EMT. 1/2" through 1 1/4" Concrete-tight, 1 1/2" thru 4" concrete-tight when taped. 2" thru 4" suitable for use with aluminum or steel EMT.

[Download Photo](#)[Download Drawing](#)

### Product details

|                                   |                               |
|-----------------------------------|-------------------------------|
| <b>Catalog Number:</b>            | 247-DC                        |
| <b>UPC Number:</b>                | 781747092472                  |
| <b>Primary Materials:</b>         | Zinc Die Cast                 |
| <b>Finish:</b>                    | Ball burnished, mirror smooth |
| <b>Trade Size:</b>                | 3"                            |
| <b>Standard Package Quantity:</b> | 12                            |

### Dimensions

|                      |      |
|----------------------|------|
| <b>Trade Size:</b>   | 3"   |
| <b>Dimensions A:</b> | 4.5  |
| <b>Dimensions B:</b> | 3.89 |

### Certifications & Codes

**Federal Specification Number:** A-A-50553**UL File Number:** E24001**CSA File Number:** LR39354**UNSPSC:** 39131707**Nema Standard:** FB-1**UL Standard:** UL-514B**Country Of Manufacture:** USA