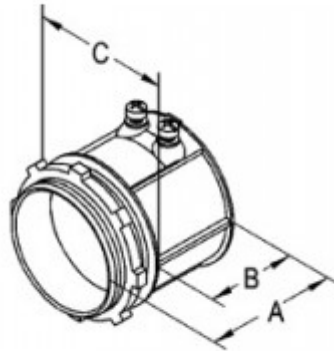


Connector, Set Screw, Zinc Die Cast, Size 2-1/2 Inch

Used to secure EMT to box or enclosure.



[Download Photo](#)

[Download Drawing](#)

Product details

Catalog Number:	236-DC2
UPC Number:	781747152367
Primary Materials:	Zinc Die Cast
Finish:	Ball burnished, mirror smooth
Trade Size:	2-1/2"
Standard Package Quantity:	12

Dimensions

Trade Size:	2-1/2"
Dimensions A:	3.13
Dimensions B:	2.13
Dimensions C:	3.25

Certifications & Codes

Federal Specification Number: A-A-50553

UL File Number: E24001

CSA File Number: LR39354

UNSPSC: 39121434

Nema Standard: FB-1

UL Standard: UL-514B

Country Of Manufacture: USA