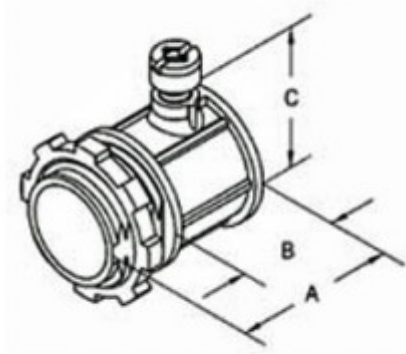


Connector, Set Screw, Zinc Die Cast, Size 3/4 Inch

Used to secure EMT to box or enclosure.

[Download Photo](#)[Download Drawing](#)

Product details

Catalog Number:	231-DC2
UPC Number:	781747152312
Primary Materials:	Zinc Die Cast
Finish:	Ball burnished, mirror smooth
Trade Size:	3/4"
Unit Quantity:	25
Standard Package Quantity:	250

Dimensions

Trade Size:	3/4"
Dimensions A:	1.44
Dimensions B:	1.31
Dimensions C:	1.19

Certifications & Codes

Federal Specification Number: A-A-50553

UL File Number: E24001

CSA File Number: LR39354

UNSPSC: 39121434

Nema Standard: FB-1

UL Standard: UL-514B

Country Of Manufacture: USA