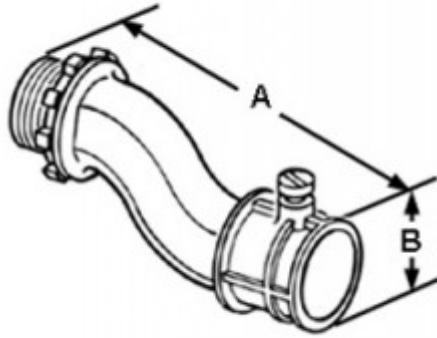


## Nipple Connector, Set Screw, Offset, Zinc Die Cast, Size 1/2 Inch

Used to connect EMT to box or enclosure. Concrete-tight. Offsets nipple 3/8".

[Download Photo](#)[Download Drawing](#)

### Product details

<b>Catalog Number:</b>	1620-DC2
<b>UPC Number:</b>	781747716200
<b>Primary Materials:</b>	Zinc Die Cast
<b>Finish:</b>	Ball burnished, mirror smooth
<b>Trade Size:</b>	1/2"
<b>Unit Quantity:</b>	20
<b>Standard Package Quantity:</b>	200

### Dimensions

<b>Trade Size:</b>	1/2"
<b>Dimensions A:</b>	3-1/4
<b>Dimensions B:</b>	15/16

### Certifications & Codes

**Federal Specification Number:** A-A-50553

**UL File Number:** E24001

**UNSPSC:** 39131718

**Nema Standard:** FB-1

**UL Standard:** UL-514B