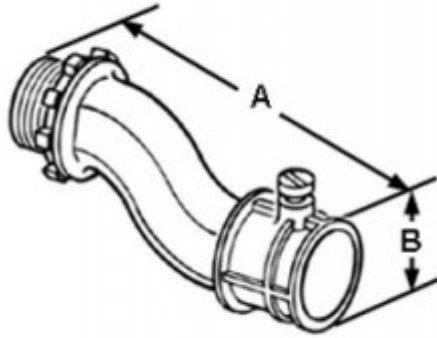


Nipple Connector, Set Screw, Offset, Zinc Die Cast, Size 1/2 Inch

Used to connect EMT to box or enclosure. Concrete-tight. Offsets nipple 3/8".

[Download Photo](#)[Download Drawing](#)

Product details

Catalog Number:	1620-DC2
UPC Number:	781747716200
Primary Materials:	Zinc Die Cast
Finish:	Ball burnished, mirror smooth
Trade Size:	1/2"
Unit Quantity:	20
Standard Package Quantity:	200

Dimensions

Trade Size:	1/2"
Dimensions A:	3-1/4
Dimensions B:	15/16

Certifications & Codes

Federal Specification Number: A-A-50553

UL File Number: E24001

UNSPSC: 39131718

Nema Standard: FB-1

UL Standard: UL-514B