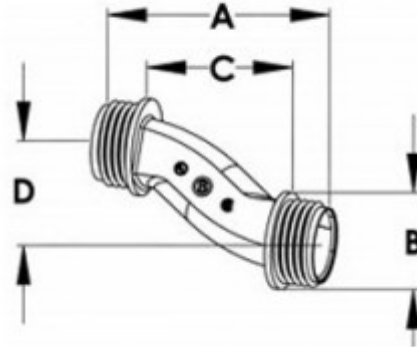


## Nipple, Offset, Zinc Die Cast, Size 1 1/4 Inch

Used to offset the axis of raceway 3/4 ". Dry Location Only.

[Download Photo](#)[Download Drawing](#)

### Product details

<b>Catalog Number:</b>	1523-DC
<b>UPC Number:</b>	781747915238
<b>Primary Materials:</b>	Zinc Die Cast
<b>Finish:</b>	Ball burnished, mirror smooth
<b>Trade Size:</b>	1-1/4"
<b>Unit Quantity:</b>	10
<b>Standard Package Quantity:</b>	40

### Dimensions

<b>Trade Size:</b>	1-1/4"
<b>Dimensions A:</b>	3.063
<b>Dimensions B:</b>	1.88
<b>Dimensions C:</b>	1.625
<b>Dimensions D:</b>	0.75

### Certifications & Codes

**Federal Specification Number:** A-A-50553

**UL File Number:** E9391

**CSA File Number:** LR39354

**UNSPSC:** 39131718

**Nema Standard:** FB-1

**UL Standard:** UL-514B

**Country Of Manufacture:** USA