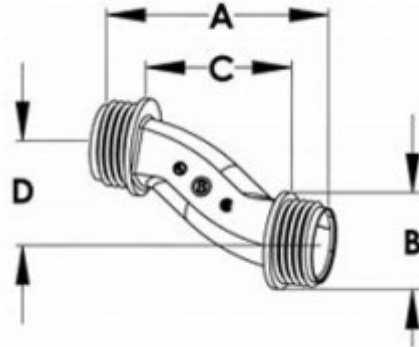


Nipple, Offset, Zinc Die Cast, Size 1 Inch

Used to offset the axis of raceway 3/4 ". Dry Location Only.

[Download Photo](#)[Download Drawing](#)

Product details

Catalog Number:	1522-DC
UPC Number:	781747915221
Primary Materials:	Zinc Die Cast
Finish:	Ball burnished, mirror smooth
Trade Size:	1"
Unit Quantity:	5
Standard Package Quantity:	50

Dimensions

Trade Size:	1"
Dimensions A:	2.843
Dimensions B:	1.562
Dimensions C:	1.625
Dimensions D:	0.75

Certifications & Codes

Federal Specification Number: A-A-50553

UL File Number: E9391

CSA File Number: LR39354

UNSPSC: 39131718

Nema Standard: FB-1

UL Standard: UL-514B

Country Of Manufacture: USA