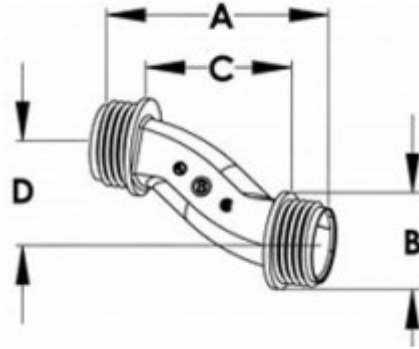


Nipple, Offset, Zinc Die Cast, Size 1/2 Inch

Used to offset the axis of raceway 3/4 ". Dry Location Only.

[Download Photo](#)[Download Drawing](#)

Product details

Catalog Number:	1520-DC
UPC Number:	781747915207
Primary Materials:	Zinc Die Cast
Finish:	Ball burnished, mirror smooth
Trade Size:	1/2"
Unit Quantity:	20
Standard Package Quantity:	200

Dimensions

Trade Size:	1/2"
Dimensions A:	2.405
Dimensions B:	0.938
Dimensions C:	1.625
Dimensions D:	0.75

Certifications & Codes

Federal Specification Number: A-A-50553

UL File Number: E9391

CSA File Number: LR39354

UNSPSC: 39131718

Nema Standard: FB-1

UL Standard: UL-514B

Country Of Manufacture: USA