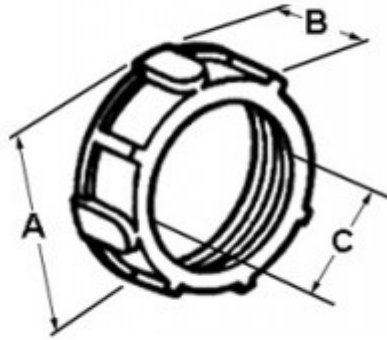


Bushing, Plastic - 105 Degrees C, Size 5 Inch

Used with locknut to terminate threaded rigid and IMC to box, or used with connector to prevent damage to wire insulation. Rated 105 degree C.

[Download Photo](#)[Download Drawing](#)

Product details

Catalog Number:	331
UPC Number:	781747003317
Primary Materials:	Plastic
Finish:	Plain
Trade Size:	5"
Standard Package Quantity:	5

Dimensions

Trade Size:	5"
Dimensions A:	6-5/16
Dimensions B:	1
Dimensions C:	4-7/8

Certifications & Codes

Federal Specification Number: A-A-50553

UL File Number: E9391

CSA File Number: LR39354

UNSPSC: 39121312

Nema Standard: FB-1

UL Standard: UL-514B

Country Of Manufacture: USA