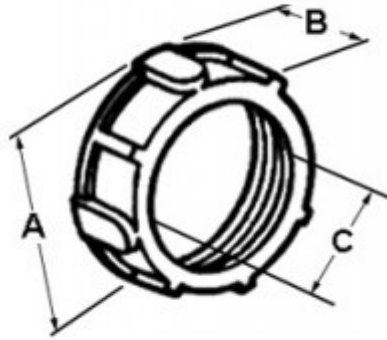


Bushing, Plastic - 105 Degrees C, Size 4 Inch

Used with locknut to terminate threaded rigid and IMC to box, or used with connector to prevent damage to wire insulation. Rated 105 degree C.

[Download Photo](#)[Download Drawing](#)

Product details

Catalog Number:	330
UPC Number:	781747003300
Primary Materials:	Plastic
Finish:	Plain
Trade Size:	4"
Standard Package Quantity:	20

Dimensions

Trade Size:	4"
Dimensions A:	4-13/16
Dimensions B:	3/4
Dimensions C:	3-13/16

Certifications & Codes

Federal Specification Number: A-A-50553

UL File Number: E9391

CSA File Number: LR39354

UNSPSC: 39121312

Nema Standard: FB-1

UL Standard: UL-514B

Country Of Manufacture: USA