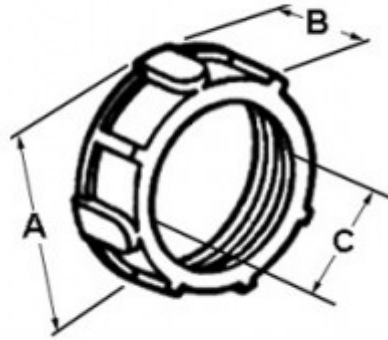


Bushing, Plastic - 105 Degrees C, Size 2 1/2 Inch

Used with locknut to terminate threaded rigid and IMC to box, or used with connector to prevent damage to wire insulation. Rated 105 degree C.

[Download Photo](#)[Download Drawing](#)

Product details

Catalog Number:	327
UPC Number:	781747003270
Primary Materials:	Plastic
Finish:	Plain
Trade Size:	2-1/2"
Standard Package Quantity:	25

Dimensions

Trade Size:	2-1/2"
Dimensions A:	3-1/8
Dimensions B:	5/8
Dimensions C:	2-3/8

Certifications & Codes

Federal Specification Number: A-A-50553**UL File Number:** E9391**CSA File Number:** LR39354**UNSPSC:** 39121312**Nema Standard:** FB-1**UL Standard:** UL-514B**Country Of Manufacture:** USA