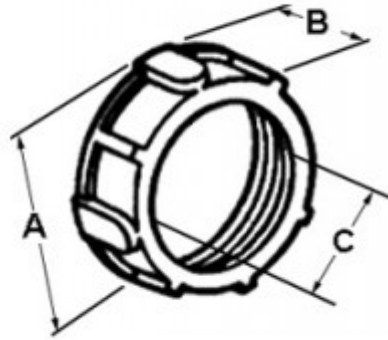


Bushing, Plastic - 105 Degrees C, Size 1 1/2 Inch

Used with locknut to terminate threaded rigid and IMC to box, or used with connector to prevent damage to wire insulation. Rated 105 degree C.

[Download Photo](#)[Download Drawing](#)

Product details

Catalog Number:	325
UPC Number:	781747003256
Primary Materials:	Plastic
Finish:	Plain
Trade Size:	1-1/2"
Standard Package Quantity:	100

Dimensions

Trade Size:	1-1/2"
Dimensions A:	2-3/16
Dimensions B:	1/2
Dimensions C:	1-9/16

Certifications & Codes

Federal Specification Number: A-A-50553

UL File Number: E9391

CSA File Number: LR39354

UNSPSC: 39121312

Nema Standard: FB-1

UL Standard: UL-514B

Country Of Manufacture: USA