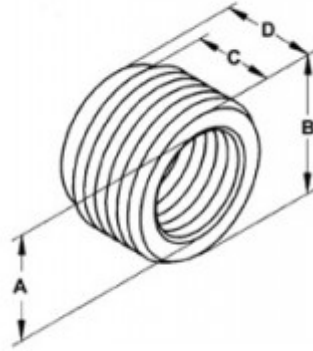


Bushing, Reducing, Malleable Iron, Size 2 1/2 - 2 Inch

Used to reduce the size of internal female threads. 1/2" thru 2" steel, 2 1/2" thru 4" malleable iron.

[Download Photo](#)[Download Drawing](#)

Product details

Catalog Number:	1176
UPC Number:	781747011763
Primary Materials:	Malleable Iron
Finish:	Zinc electro-plate
Trade Size:	2-1/2" - 2"
Standard Package Quantity:	5

Dimensions

Trade Size:	2-1/2" - 2"
Dimensions A:	1-15/16
Dimensions B:	2-7/8
Dimensions C:	1-1/8
Dimensions D:	1-3/8

Certifications & Codes

CSA File Number: LR39354

UNSPSC: 39121312