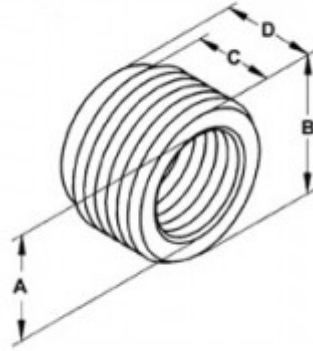


## Bushing, Reducing, Steel, Size 2 - 1 1/2 Inch

Used to reduce the size of internal female threads. 1/2" thru 2" steel, 2 1/2" thru 4" malleable iron.

[Download Photo](#)[Download Drawing](#)

### Product details

<b>Catalog Number:</b>	1175
<b>UPC Number:</b>	781747011756
<b>Primary Materials:</b>	Steel
<b>Finish:</b>	Zinc electro-plate
<b>Trade Size:</b>	2" - 1-1/2"
<b>Unit Quantity:</b>	10
<b>Standard Package Quantity:</b>	50

### Dimensions

<b>Trade Size:</b>	2" - 1-1/2"
<b>Dimensions A:</b>	1-9/16
<b>Dimensions B:</b>	2-3/16
<b>Dimensions C:</b>	5/8
<b>Dimensions D:</b>	7/8

### Certifications & Codes

**UL File Number:** E9391

**CSA File Number:** LR39354

**UNSPSC:** 39121312

**UL Standard:** UL-514B