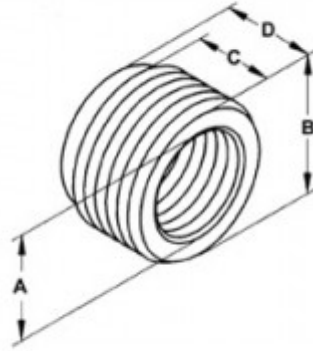


Bushing, Reducing, Steel, Size 1 - 1/2 Inch

Used to reduce the size of internal female threads. 1/2" thru 2" steel, 2 1/2" thru 4" malleable iron.

[Download Photo](#)[Download Drawing](#)

Product details

Catalog Number:	1162
UPC Number:	78174701162
Primary Materials:	Steel
Finish:	Zinc electro-plate
Trade Size:	1-1/2"
Unit Quantity:	25
Standard Package Quantity:	250

Dimensions

Trade Size:	1-1/2"
Dimensions A:	5/8
Dimensions B:	1-1/8
Dimensions C:	7/16
Dimensions D:	5/8

Certifications & Codes

UL File Number: E9391

CSA File Number: LR39354

UNSPSC: 39121312

UL Standard: UL-514B