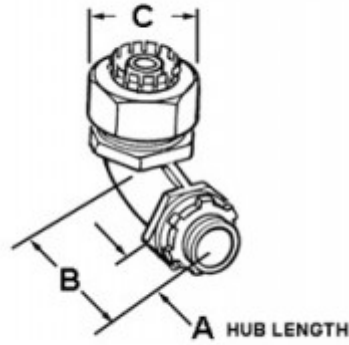


Connector, Liquid Tight, 90 Degree, Cast Zinc, Size 2 Inch

90 Degree connector for use with metallic and nonmetallic "Type B" liquid tight conduit. 1" and up cast zinc. Liquidtight connectors are suitable for use in Class I, Div 2; Class II, Div 1 and 2; and Class III, Div 1 and 2 hazardous locations.

[Download Photo](#)[Download Drawing](#)

Product details

Catalog Number:	475-LT2
UPC Number:	781747154750
Finish:	Zinc electro-plate
Trade Size:	2"
Standard Package Quantity:	5

Dimensions

Trade Size:	2"
Dimensions A:	5/8
Dimensions B:	2-5/16
Dimensions C:	3

Certifications & Codes

Federal Specification Number: A-A-50552**UL File Number:** E9391**CSA File Number:** LR39354**UNSPSC:** 39121420**Nema Standard:** FB-1**UL Standard:** UL-514B