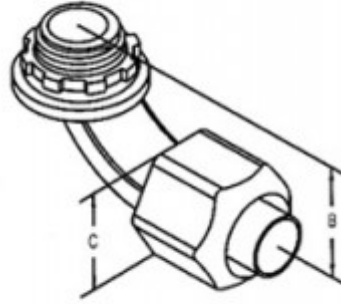


Connector, Liquid Tight, 90 Degree Non-Metallic, Size 1 1/2 Inch

90 Degree Connector for use with non-metallic "Type B" liquid tight conduit. Liquidtight connectors are suitable for use in Class I, Div 2; Class II, Div 1 and 2; and Class III, Div 1 and 2 hazardous locations.

[Download Photo](#)[Download Drawing](#)

Product details

Catalog Number:	474-NMLT
UPC Number:	781747404749
Primary Materials:	Nylon
Finish:	Plain
Trade Size:	1-1/2"
Unit Quantity:	2
Standard Package Quantity:	10

Dimensions

Trade Size:	1-1/2"
Dimensions A:	5/8
Dimensions B:	3-1/8
Dimensions C:	2-3/4

Certifications & Codes

Federal Specification Number: A-A-50552**UL File Number:** E9391**UNSPSC:** 39121420**Nema Standard:** FB-1**UL Standard:** UL-514B